

Immersible Thermocouple Sensor T-K / T-AKK similar to DIN 43733

Features

- temperature range -200...+1800 °C
- TC, class 1 as a standard
- thermocouple with ceramic well, standard material C799/C610, others on request
- fixing with welded flanges, adjustable flange or gas tight compression fitting
- tailored solutions according to specific needs
- ATEX-versions Ex i and Ex d available

Typical Applications

- All high temperature applications
- Energy and power plant technology
- Process industry
- Chemical industry
- Machinery, plant and vessel construction



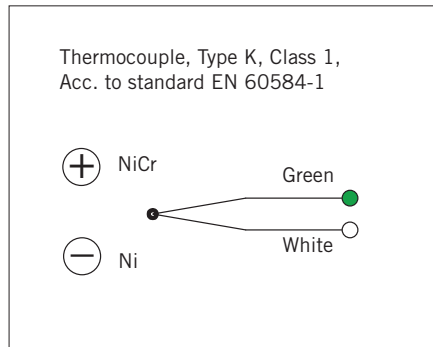
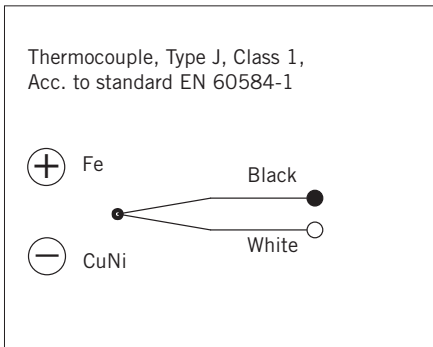
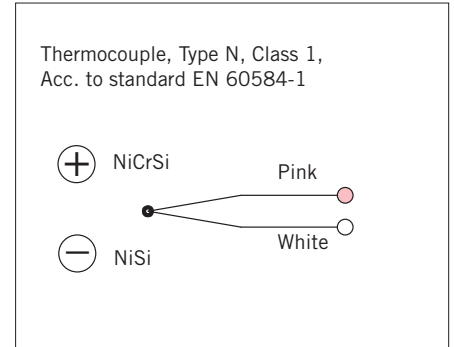
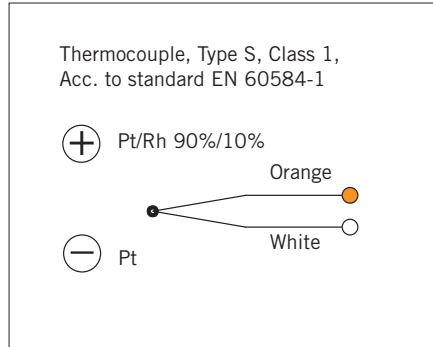
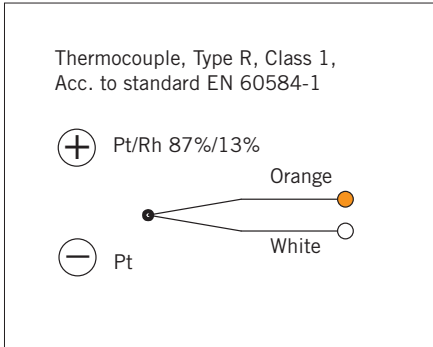
Technical data

Thermowell Material	C610 max. temp. +1600 °C C799 max. temp. +1800 °C (gas tight)
Tolerances TC (EN-60584-2)	Type J tolerance class 1 = -40...+375 °C +/- 1,5 °C, +375...+750 °C +/- 0,004 x t Type K and N tolerance class 1 = -40...+375 °C +/- 1,5 °C, +375...1000 °C +/- 0,004 x t Type R and S tolerance class 1 = 0...+1100 °C +/- 1 °C, 1100...1600 °C +/- [1+0.003(t-1100)] °C
Temperature range	-200...+1800 °C depending on thermocouple type
Approvals	ATEX, IECX, GOST-R, METROLOGICAL PATTERN APPROVAL, ROSTECHNADZOR
Quality certificate	ISO 9001:2008 issued by DNV
IP-class	IP65, higher IP-class on request

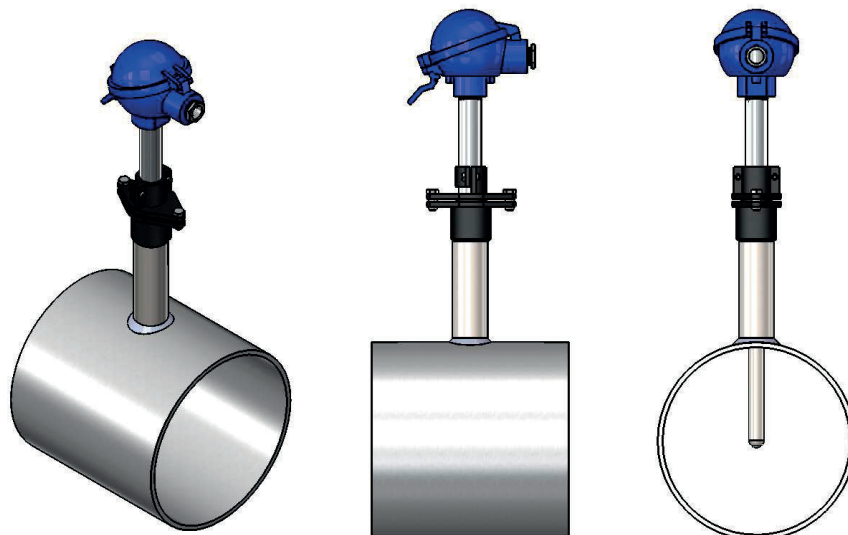


Immersible Thermocouple Sensor T-K / T-AKK similar to DIN 43733

Thermoelement connections

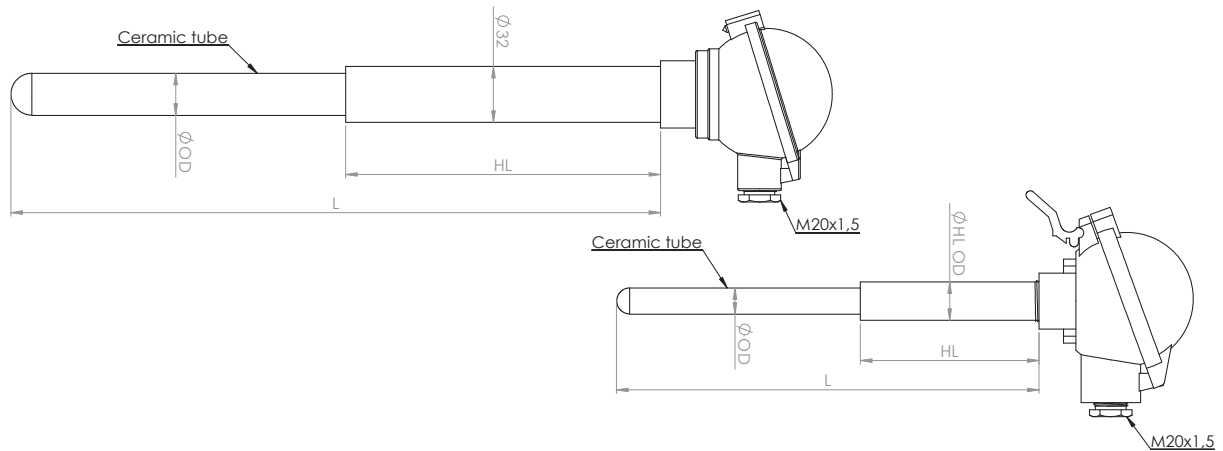


Installation examples



Immersible Thermocouple Sensor T-K / T-AKK similar to DIN 43733

Drawing



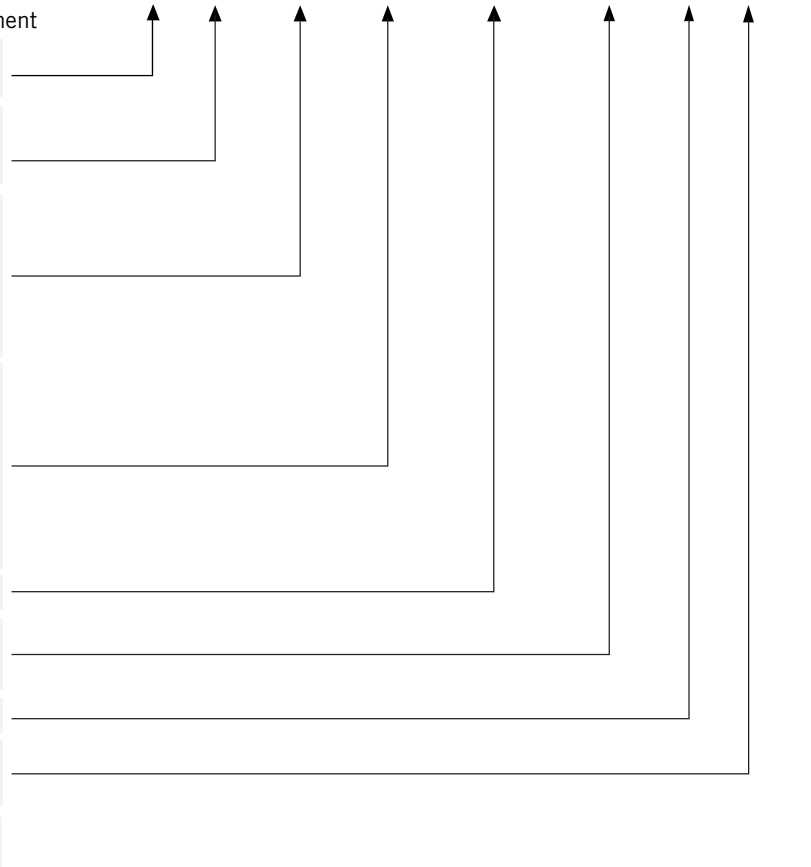
Product code key



Example code: T - AKK - 24 - D/H - 1000 - S/0,5 - 1 - CB - X

Ceramic Well + Thermo element sensing element

- T = Thermocouple
- 2xT = 2 x Thermocouple
- K = gas tight ceramic well
- AKK = flame proof ceramic outer tube gas tight internal well
- 10 = gas tight ceramic 799 Ø 10 mm
- 15 = gas tight ceramic 799 Ø 15 mm
- 24 = flame proof ceramic outer tube 610 Ø 24 mm and gas tight internal ceramic tube 799 Ø 15 mm other materials and diameters available on request
- B = connection head BL
- D = connection head DAN
- D/H = connection head DAN, cover with snap lock (standard)
- D/W/H = connection head high, cover with snap lock
- EXD = connection head ATEX
- HST = acid proof connection head
- N = connection head NA
- 1000 = immersion length
- J,K,N = thermo element type
- S,R,B = wire diameter
- 0,5 = wire diameter
- 1,2,3 = accuracy class
- TR = free wires for transmitter
- CB = with ceramic terminal block
- X = Additional details on the text line



Connection heads

