

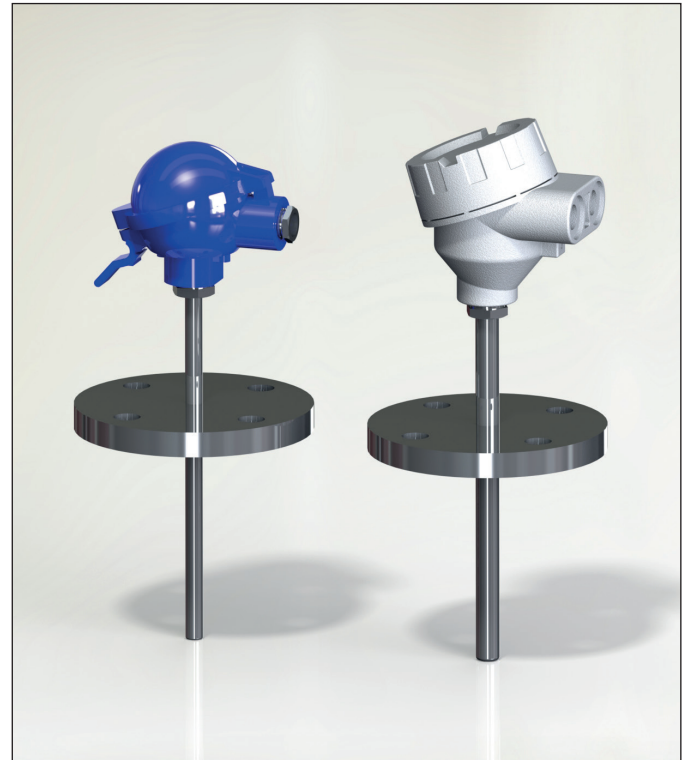
# Flanged Temperature Sensor T-F / W-F according to DIN 43772 2F

## Features

- temperature range -200...+1200 °C
- Pt100 or thermocouple
- wetted parts material according to the application
- Pt100, accuracy class A, as a standard, more accurate on request. TC, class 1 as a standard
- replaceable inner element, MI-construction
- flange size and type according to the application
- tailored solutions according to specific needs
- ATEX-versions, Ex i and Ex d available

## Typical Applications

- Energy and power plant technology
- Process industry
- Chemical industry
- Machinery, plant and vessel construction



## Technical data

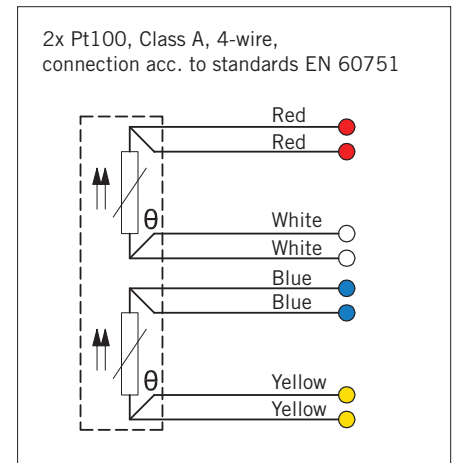
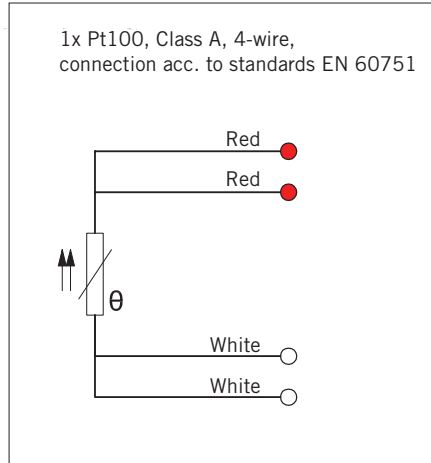
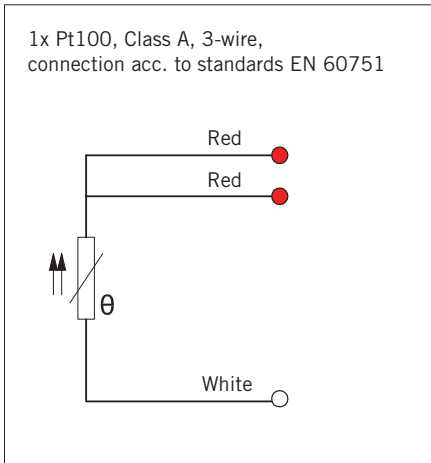
<b>Thermowell Material</b>	AISI, max. temp. +550 °C, temporarily +850 °C Heat-resistant steel 1.4841, max. temp. +1100 °C, temporarily +1250 °C	
<b>Flange</b>	DIN EN 1092 -1, type 05A, DIN EN 1092-1, type 05B, others on request A = flat (Standard) B = raised face	
<b>Tolerances Pt100 (EN-60751)</b>	A, tolerance +/- 0,15 + 0,002 x t, operating temperature -100...+450 °C B, tolerance +/- 0,3 + 0,005 x t, operating temperature -196...+600 °C B 1/3 DIN, tolerance +/- 1/3 x (0,3 + 0,005 x t), operating temperature -196...+600 °C B 1/10 DIN, tolerance +/- 1/10 x (0,3 + 0,005 x t), operating temperature -196...+600 °C	
<b>Tolerances TC (EN-60584-2)</b>	Type J tolerance class 1 = -40...375 °C +/- 1,5 °C, 375...750 °C +/- 0,004 x t Type K and N tolerance class 1 = -40...375 °C +/- 1,5 °C, 375...1000 °C +/- 0,004 x t	
<b>Temperature range Pt100</b>	-200...+550 °C	
<b>Temperature range TC</b>	-200...+1200 °C depending on thermocouple type HL = 250 mm -> temp. max. +750 °C HL = 300 mm -> temp. max. +1000 °C HL = 350 mm -> temp. max. +1200 °C	
<b>Approvals</b>	ATEX, GOST-R, METROLOGICAL PATTERN APPROVAL, ROSTECHNADZOR	
<b>Quality certificate</b>	ISO 9001:2008 issued by DNV	
<b>IP-class</b>	IP65, higher IP-class on request	

TC = thermocouple  
HL = cooling neck

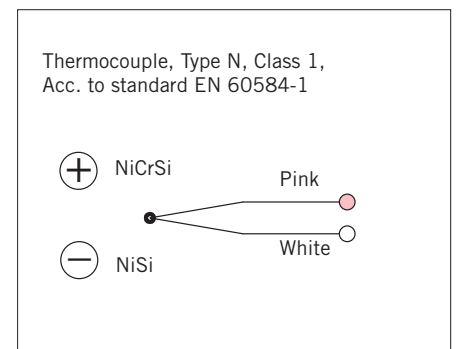
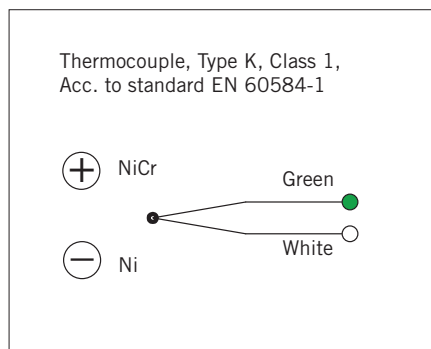
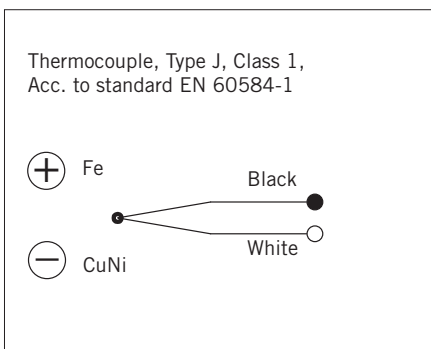


# Flanged Temperature Sensor T-F / W-F according to DIN 43772 2F

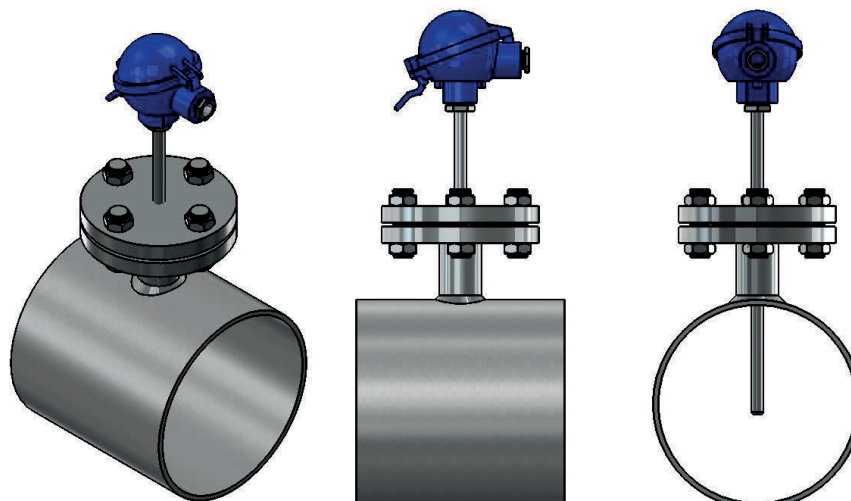
## Pt 100 Connections



## Thermoelement connections

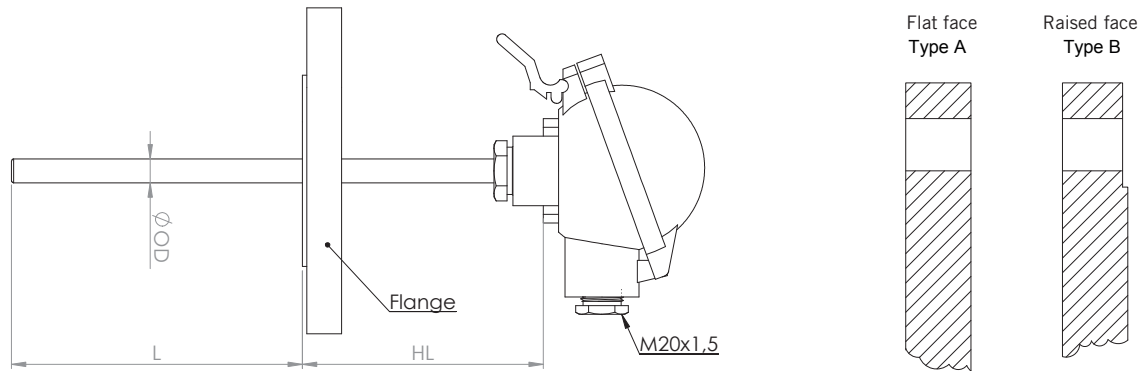


## Installation examples



# Flanged Temperature Sensor T-F / W-F according to DIN 43772 2F

## Drawing



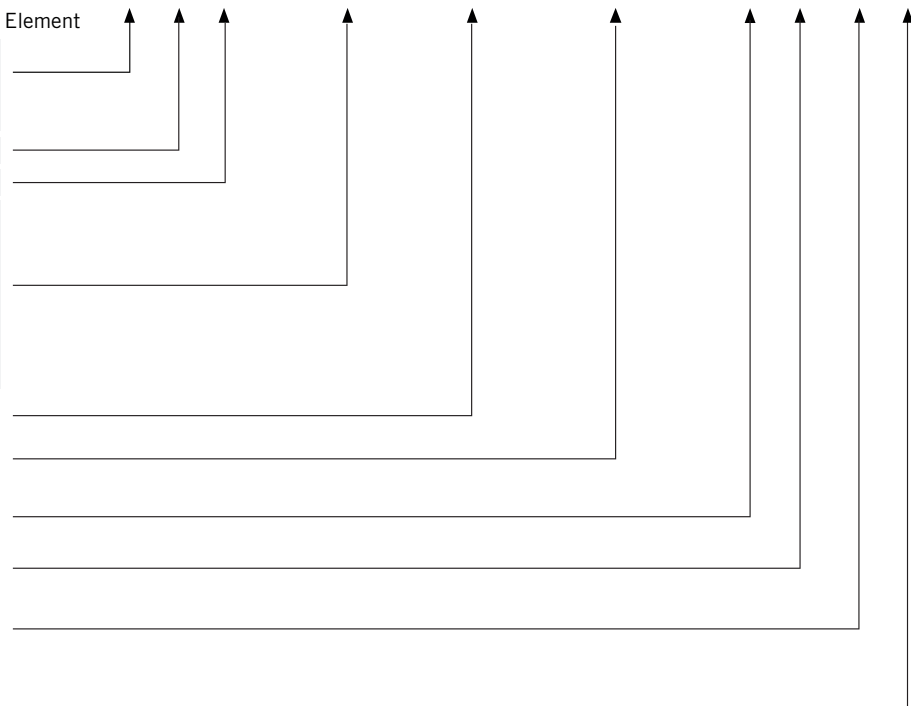
## Product code key



**Example code:** W - F - 9 - D / W / H - 160 - DN50/PN40 - 4 - A - TR - X

### Flanged Well + Pt100/Thermocouple Sensing Element

W	= Pt100 resistance sensor
2xW	= 2xPt100 resistance sensor
T	= Thermocouple
2xT	= 2 x Thermocouple
F	= coupling with flange
9	= well diameter (mm)
B	= connection head BL
D	= connection head DAN
D/H	= connection head DAN, cover with snap lock (standard)
D/W/H	= connection head high, cover with snap lock
EXD	= connection head ATEX
HST	= acid proof connection head
N	= connection head NA
160	= immersion depth (mm)
DN50/PN40	= flange size
4,3,2	= Pt 100 number of connection wires
K,N,J	= TC type of thermocouple
A,B	= Pt100 precision class A (STANDARD)
1,2,3	= TC accuracy class 1 (STANDARD)
TR	= free wires for transmitter
CB	= with ceramic terminal block
X	= additional details on the text line



## Connection heads

