

Trace heating sensor W-M-TRACE, 2x W-M-TRACE

Features

- sensing head operating temperature -40...+450 °C temporarily +550 °C
- connection box ambient temperature range -40...+80 °C
- 1 or 2 individual mineral insulated Pt100 sensing element(s)
- Pt100 accuracy class A, acc. to EN 60751
- replaceable sensing element(s)
- ATEX approved Ex e.

Typical Applications

- Energy and power plant technology
- Process industry
- Chemical industry
- Plant construction.



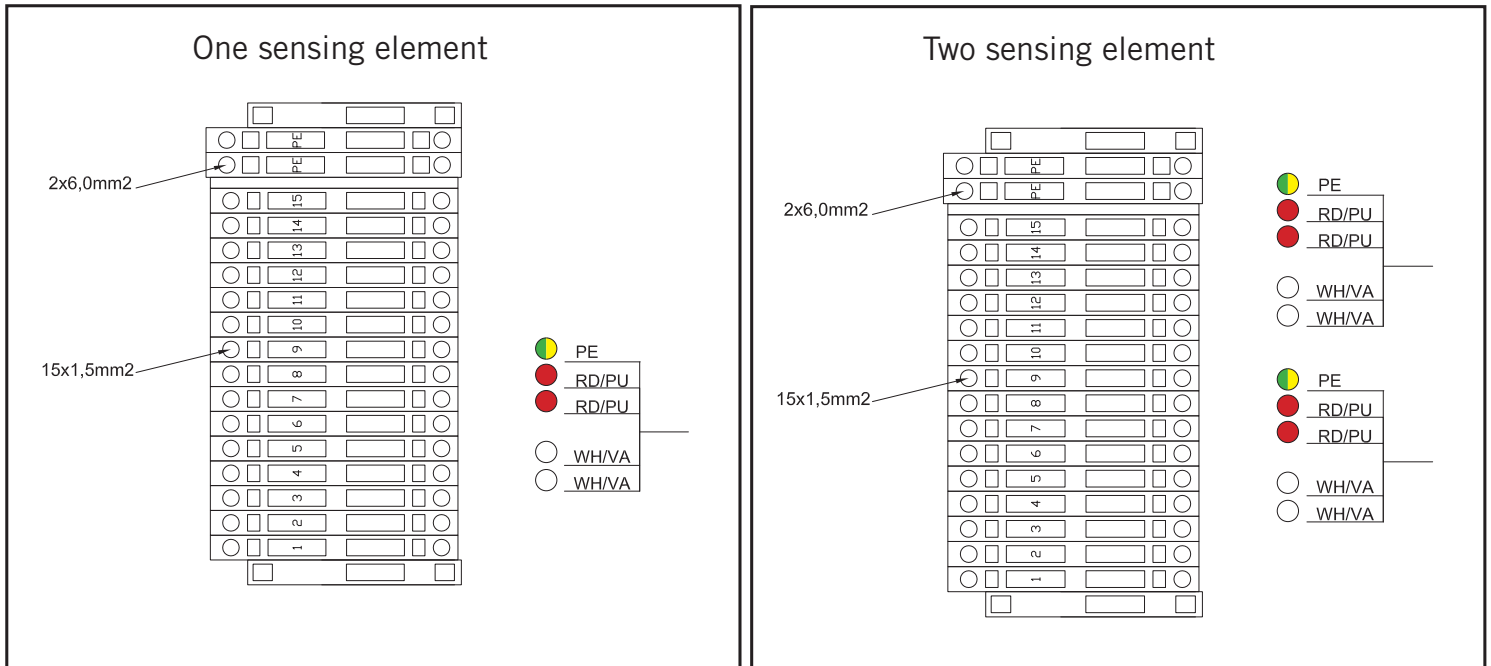
Technical data

Sensing element material	AISI 316, max. temp. +450 °C, temporarily +550 °C
Tolerances Pt100 (EN-60751)	A, tolerance +/- 0,15 + 0,002 x t, operating temperature -100...+450 °C
Temperature range Pt100	-40...+450 °C, temporarily +550 °C
Sensing element device classification	II 2 GD Ex e T1-T6 Ex tD A21 IP66 T 60 C T amb (max.) -40...+125/550 °C
Sensing element length	1000 mm, 2000 mm, other lengths on request
Sensing element diameter	3 or 6 mm
Box dimensions/material	160 x 160 x 90 mm, glass-reinforced polyester
Box device classification	II 2 GD Ex e IIC T6 Gb (Ta = -65...+40°C, +55°C, +60°C or +65°C) Ex e IIC T4 Gb (Ta = -65°C...+90°C) Ex Ib IIC T6 Gb (Ta = -65°C...+40°C, +55°C, +60°C or +65°C) Ex Ib IIC T4 Gb (Ta = -65°C...+90°C) Ex tb IIIC T85°C Db (Ta = -65°C...+40°C, +55°C, +60°C or +65°C) Ex tb IIIC T100°C Db (Ta = -65°C...+90°C)
Box temperature range	-40...+80 °C (ambient temperature)
Cable glands	2 sensing elements: 1 x M25x1,5, for cable diameters 6-13 mm 1 sensing element: 2 x M25x1,5, for cable diameter 6-13 mm
Approvals	VTT 07 ATEX 013X
Quality certificate	VTT 02 ATEX Q 001 issued by VTT Expert Services Ltd, ISO 9001:2008 issued by DNV
IP-class	IP66/IP67



Trace heating sensor W-M-TRACE, 2x W-M-TRACE

Pt100 Connections



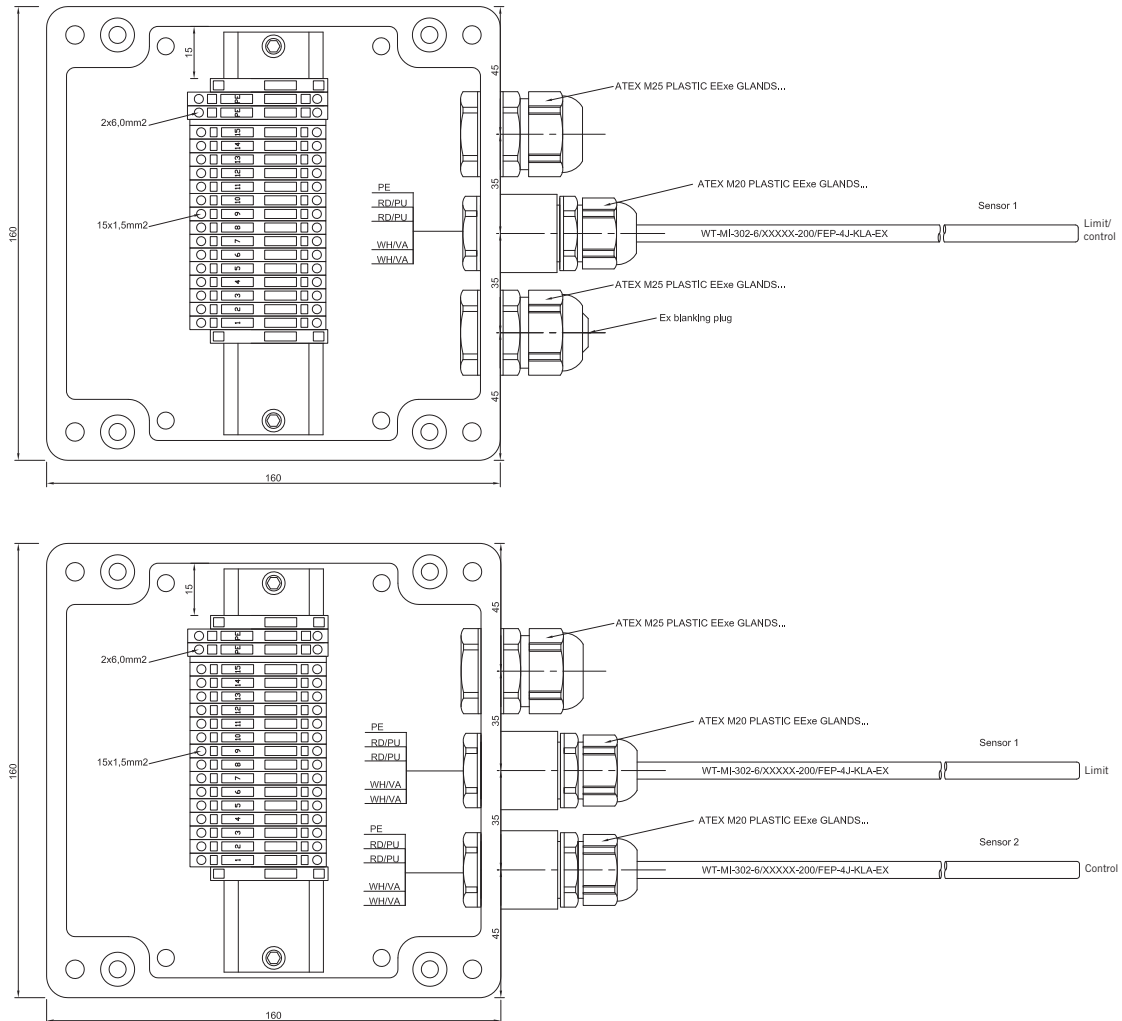
Wires are not connected, connection can be realized according to customer specification.

Installation example



Trace heating sensor W-M-TRACE, 2x W-M-TRACE

Drawing



Product code key

W - M - TRACE - - - 4 - A - EX -

Example: W - M - TRACE - 6 / 1000 - 4 - A - EX - X

Trace heating sensor

W = mineral insulated Pt100 sensor
2xW = 2 x mineral insulated Pt100 sensor

M = mineral insulated structure

TRACE = trace heating sensor

3 or 6 = element diameter (mm)

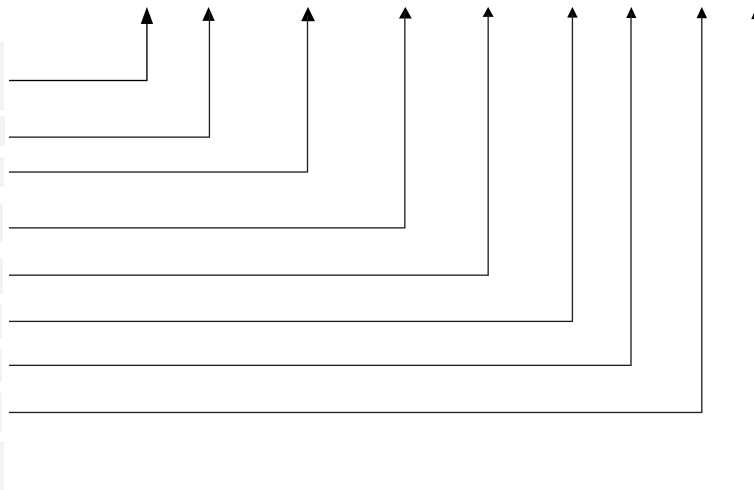
1000 = element length (mm)

4 = number of Pt100 wires

A = Pt100 tolerance class A

EX = Ex e certified

X = additional information



NOTE! Wires are not connected, connection can be realized according to customer specification.