

Temperature Sensor W-CABLE or T-CABLE

Features

- temperature sensor for multiple temperature measurement purposes
- temperature range -200...+300 °C
- Pt100 or thermocouple
- standard materials AISI 316L, others on request
- Pt100, accuracy class A, as a standard, more accurate on request. TC, class 1 as a standard
- tailored solutions according to specific needs

Typical Applications

- process industry
- chemical industry
- machinery, plant and vessel construction



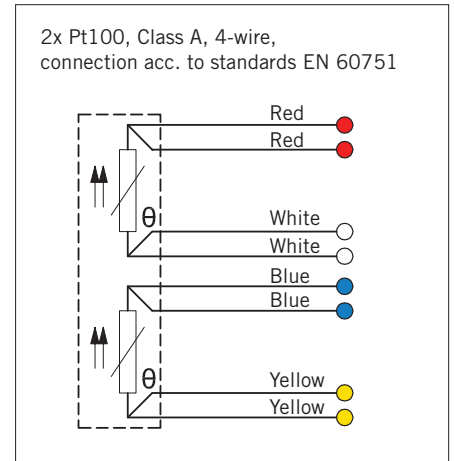
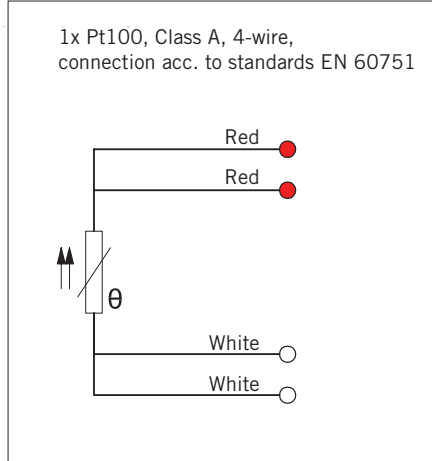
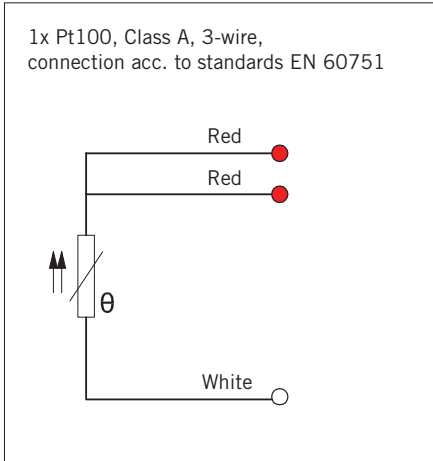
Technical data

Probe material	AISI, max. temp. +250 °C, temporarily +300 °C.
Probe diameter	3, 4, 5, 6 or 8mm. Others on request.
Cable material	SIL = silicon, max +180 °C FEP = teflon®, max +205 °C GGD = glass silk/metal braid, max +350 °C
Tolerances Pt100 (EN-60751)	A, tolerance +/- 0,15 + 0,002 x t, operating temperature -100...+450 °C B, tolerance +/- 0,3 + 0,005 x t, operating temperature -196...+600 °C B 1/3 DIN, tolerance +/- 1/3 x (0,3 + 0,005 x t), operating temperature -196...+600 °C B 1/10 DIN, tolerance +/- 1/10 x (0,3 + 0,005 x t), operating temperature -196...+600 °C
Tolerances TC (EN-60584-2)	Type J tolerance class 1 = -40...375 °C +/- 1,5 °C, 375...750 °C +/- 0,004 x t Type K and N tolerance class 1 = -40...375 °C +/- 1,5 °C, 375...1000 °C +/- 0,004 x t
Temperature range Pt100	-200...+350 °C depending on application and material.
Temperature range TC TC = thermocouple	-200...+350 °C depending on thermocouple type and material.
Approvals	ATEX, GOST-R, METROLOGICAL PATTERN APPROVAL, ROSTECHNADZOR
Quality certificate	ISO 9001:2008 issued by DNV

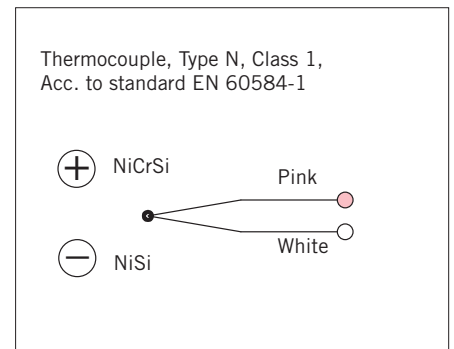
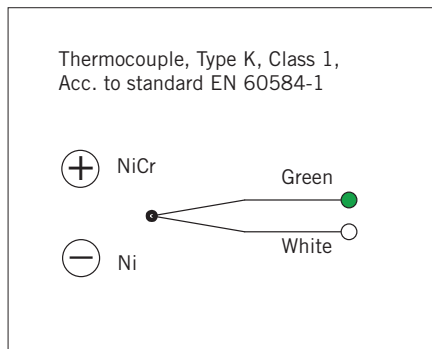
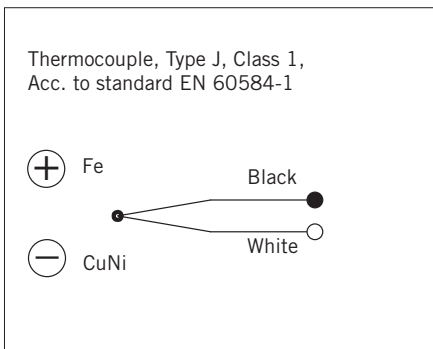


Temperature Sensor W-CABLE or T-CABLE

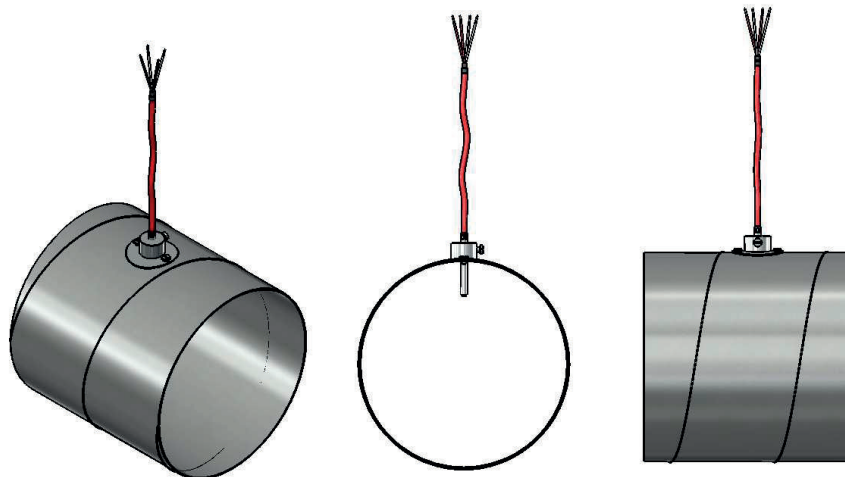
Pt 100 Connections



Thermoelement connections

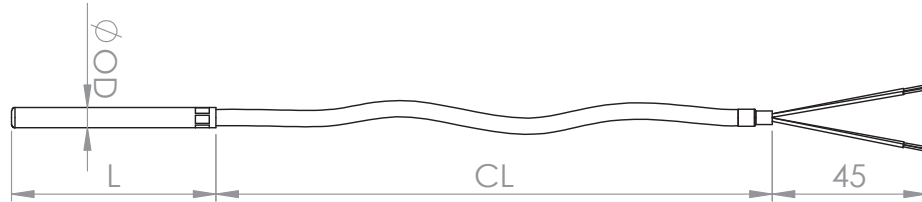


Installation examples



Temperature Sensor W-CABLE or T-CABLE

Drawing



Product code key



Example code: W- CABLE - 6 / 100 - 5000 / SIL - 4 - A - X

Cable temperature sensor

- W = Pt100 resistance sensor
- 2xW = 2XPt100 resistance sensor
- T = Thermocouple
- 2xT = 2 x Thermocouple
- CABLE = cable sensor with sleeve
- 6 = diameter
- 100 = sleeve length (mm)
- 5000 = cable length (mm)
- SIL = cable Insulation material
- 4,3,2 = Pt100 number of connection wires
- K,N,J = TC type
- A,B = Pt100 precision class A (STANDARD)
- 1,2,3 = TC precision class 1 (STANDARD)
- X = zdditional details on the text line
- _____
- _____

