

Surface Temperature Sensor W-M-P / T-M-P or W-P / T-P

Features

- temperature sensor for measuring surface temperatures
- temperature range -200...+1250 °C
- Pt100 or thermocouple
- standard materials AISI 316L or INCONEL 600, others on request
- Pt100, accuracy class A, as a standard, more accurate on request. TC, class 1 as a standard
- MI-construction, bendable, vibration proof
- tailored solutions according to specific needs

Typical Applications

- energy and power plant technology
- process industry
- chemical industry
- machinery, plant and vessel construction



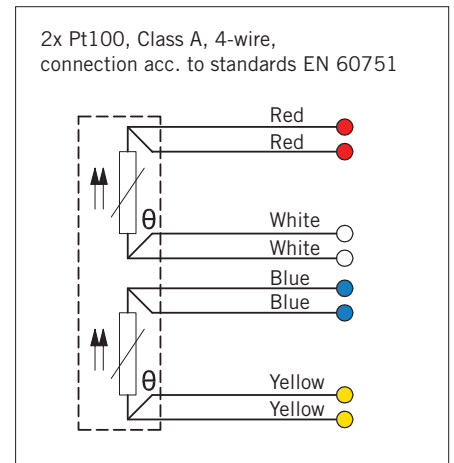
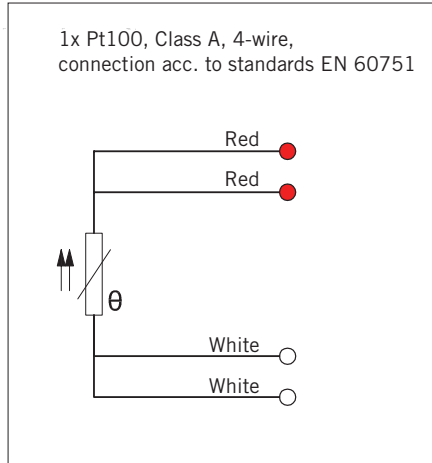
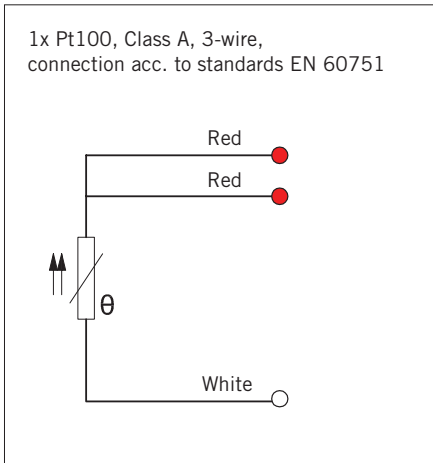
Technical data

Mi-wire material	AISI316L, max. temp. +550 °C, temporarily +600 °C INCONEL 600, max. +1100 °C, temporarily+1250 °C.
Cable material	SIL = silicone, max +180 °C FEP = Teflon®, max +205 °C GGD = glass silk/metal braid, max +350 °C
Size of the surface mounting part (WxHxL)	5x9x45 or 12x12x50. Others on request.
Tolerances Pt100 (EN-60751)	A, tolerance +/- 0,15 + 0,002 x t, operating temperature -100...+450 °C B, tolerance +/- 0,3 + 0,005 x t, operating temperature -196...+600 °C B 1/3 DIN, tolerance +/- 1/3 x (0,3 + 0,005 x t), operating temperature -196...+600 °C B 1/10 DIN, tolerance +/- 1/10 x (0,3 + 0,005 x t), operating temperature -196...+600 °C
Tolerances TC (EN-60584-2)	Type J tolerance class 1 = -40...375 °C +/- 1,5 °C, 375...750 °C +/- 0,004 x t Type K and N tolerance class 1 = -40...375 °C +/- 1,5 °C, 375...1000 °C +/- 0,004 x t
Temperature range Pt100	-200...+550 °C, depending on application and material.
Temperature range TC TC = thermocouple	-200...+1250 °C depending on thermocouple type and material.
Approvals	GOST-R, METROLOGICAL PATTERN APPROVAL, ROSTECHNADZOR
Quality certificate	ISO 9001:2008 issued by DNV

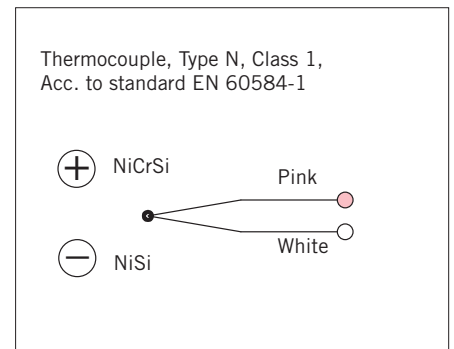
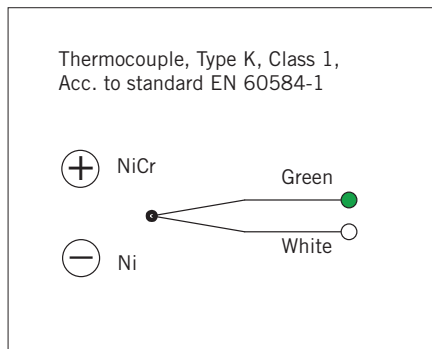
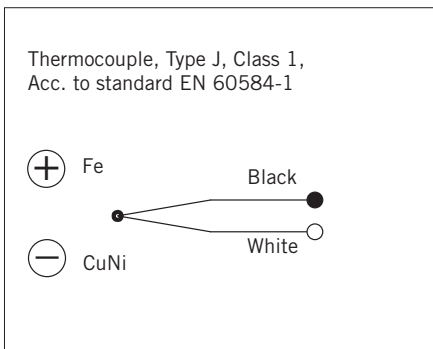


Surface Temperature Sensor W-M-P / T-M-P or W-P / T-P

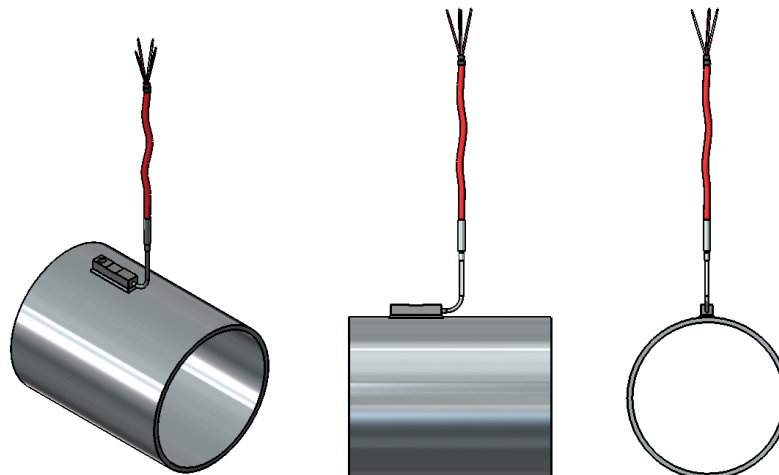
Pt 100 Connections



Thermoelement connections

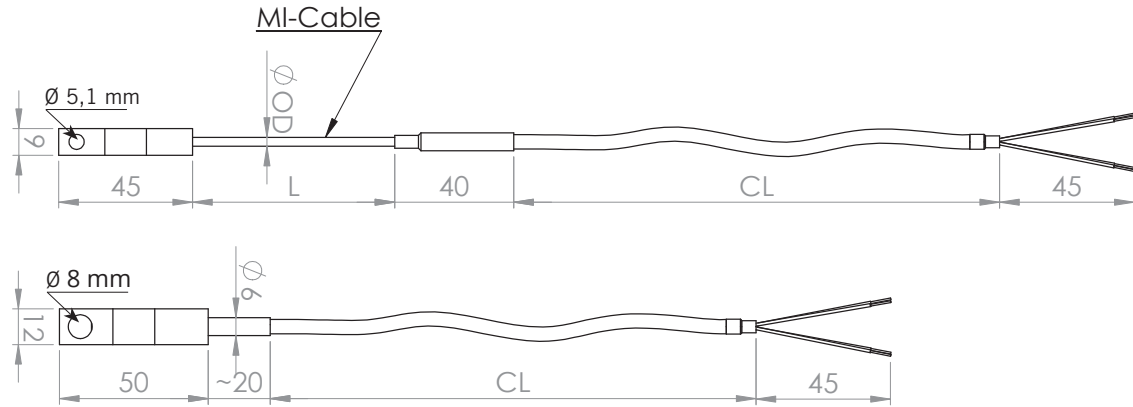


Installation examples

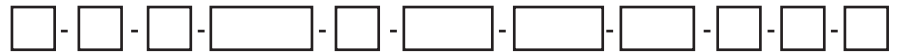


Surface Temperature Sensor W-M-P / T-M-P or W-P / T-P

Drawing



Product code key



Example code: W- M - P - 5x9x45 - 3 / 500 - 5000 / SIL - 4 - A - X

Surface temperature sensor

W	= Pt100 resistance sensor
2xW	= 2xPt100 resistance sensor
T	= Thermocouple
2xT	= 2 x Thermocouple
Blank	= without mineral insulation cable
M	= mineral insulated construction
P	= surface temperature sensor
5x9x45	= dimensions of heat conductor part
3	= diameter
500	= immersion depth (mm)
5000	= cable length (mm)
SIL	= cable Insulation material
4,3,2	= Pt100 number of connection wires
K,N,J	= TC type
A,B	= Pt100 precision class A (STANDARD)
1,2,3	= TC precision class 1 (STANDARD)
X	= additional details on the text line

