

# Acid Proof Resistance Sensor W-E-6-HST-S / W-E-6-HST-CLAMP

## Features

- temperature sensor for hygienic installations
- all parts made of acid proof steel
- temperature range -200...+550 °C
- Pt100 accuracy class A as a standard, more accurate on request.
- mounting by welding or with clamp connection
- thermowell material according to the application
- replaceable inner element, MI-construction, vibration proof
- tailored solutions according to specific needs
- ATEX-versions, Ex i available
- HD-versions for food product zone available

## Typical Applications

- Food industry
- Pharmaceutical industry
- Chemical industry
- Process industry
- Energy and power plant technology
- Machinery, plant and vessel construction



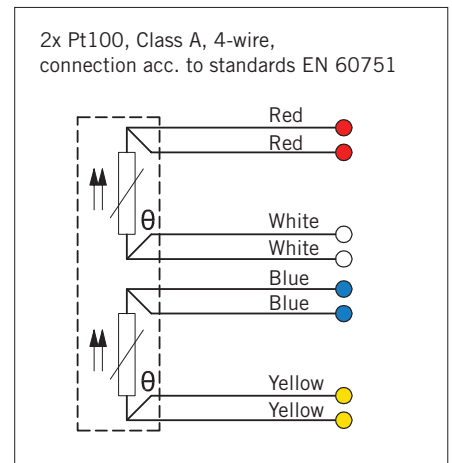
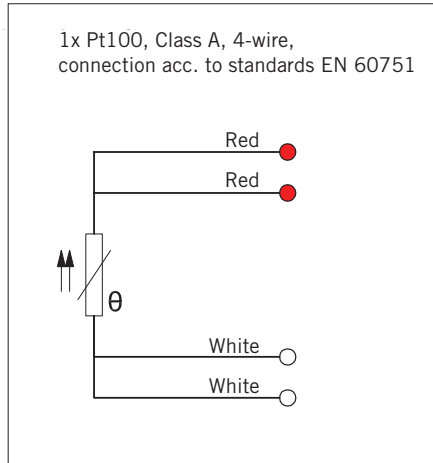
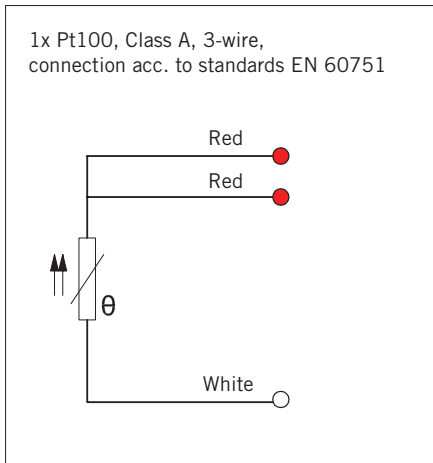
## Technical data

<b>Thermowell Material</b>	AISI 316L, max. temp. +550 °C, temporarily +600 °C other materials on request
<b>Tolerances Pt100 (EN-60751)</b>	A, tolerance +/- 0,15 + 0,002 x t, operating temperature -100...+450 °C B, tolerance +/- 0,3 + 0,005 x t, operating temperature -196...+600 °C B 1/3 DIN, tolerance +/- 1/3 x (0,3 + 0,005 x t), operating temperature -196...+600 °C B 1/10 DIN, tolerance +/- 1/10 x (0,3 + 0,005 x t), operating temperature -196...+600 °C
<b>Temperature range Pt100</b>	-200...+550 °C
<b>Approvals</b>	GOST-R, METROLOGICAL PATTERN APPROVAL
<b>Quality certificate</b>	ISO 9001:2008 issued by DNV
<b>IP-class</b>	IP65, higher IP-class on request

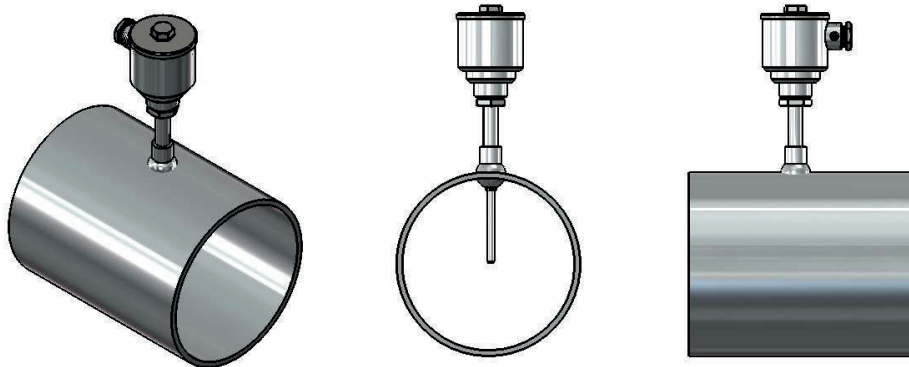


# Acid Proof Resistance Sensor W-E-6-HST-S / W-E-6-HST-CLAMP

## Pt 100 Connections

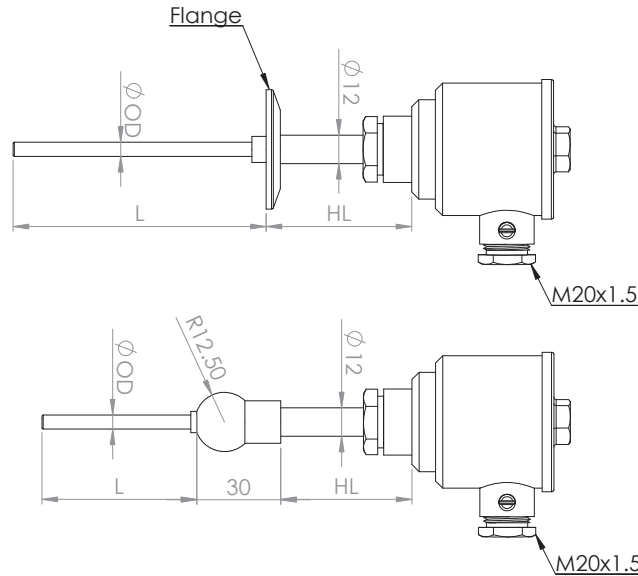


## Installation examples



# Acid Proof Resistance Sensor W-E-6-HST-S / W-E-6-HST-CLAMP

## Drawing



Sensor with clamp flange thermowell

Sensor with welded thermowell

## Product code key



**Esimerkki:** W - E - 6 - HST - S - 500 - 4 - A - TR - X

### Hygienic Well + Pt100 Sensing Element

W	= Pt100 resistance sensor
2xW	= 2XPt100 resistance sensor
E	= sensor for hygiene applications
6	= $\varnothing$ OD = diameter
D	= connection head DAN
N	= connection head NA
EXD	= connection head ATEX
HST	= acid proof connection head
B	= connection head BL
W	= connection head high
[blank]	= standard
H	= cover with snap-lock
S	= welded ball thermowell
CLAMP	= thermowell with clamp
500	= L = immersion depth (mm)
4,3,2	= Pt100 number of connection wires
A,B	= Pt100 precision class A (STANDARD)
TR	= free wires for transmitter
CB	= with ceramic terminal block
X	= additional details on the text line

