

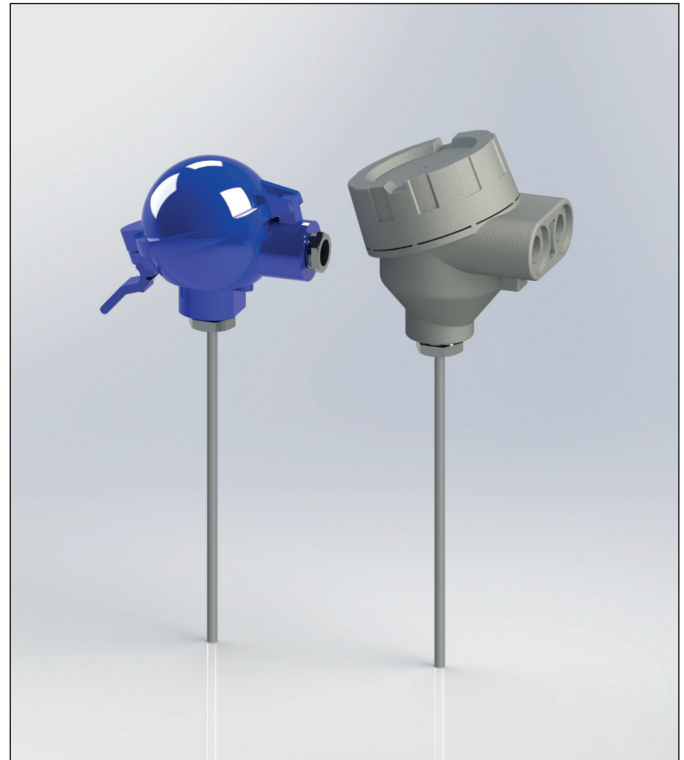
Mineral Insulated Sensing Insert with head T-M-N / W-M-N according to DIN 43721

Features

- temperature range -200...+1200 °C
- Pt100 or thermocouple
- standard materials AISI 316L or INCONEL 600, others on request
- Pt100, accuracy class A, as a standard, more accurate on request. TC, class 1 as a standard
- MI-construction, bendable and vibration proof
- fixing with welded flanges, adjustable flange or compression fitting
- adjustable immersion length due to sliding mounting
- tailored solutions according to specific needs
- ATEX-version, Ex i and Ex d available

Typical Applications

- Energy and power plant technology
- Process industry
- Chemical industry
- Machinery, plant and vessel construction



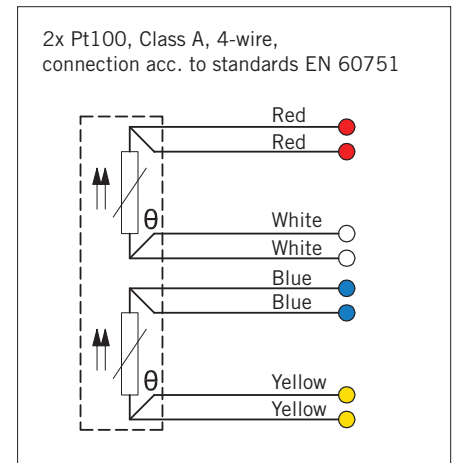
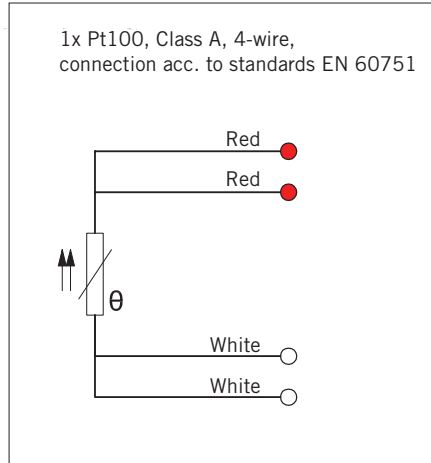
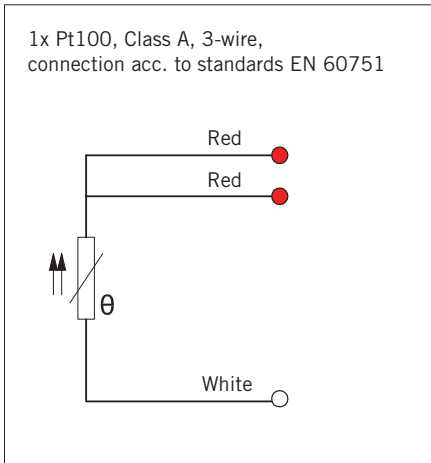
Technical data

Mi-wire material	AISI 316L, max. temp. +550 °C, temporarily +600 °C. INCONEL 600, max. +1100 °C, temporarily +1200 °C.
Tolerances Pt100 (EN-60751)	A, tolerance +/- 0,15 + 0,002 x t, operating temperature -100...+450 °C B, tolerance +/- 0,3 + 0,005 x t, operating temperature -196...+600 °C B 1/3 DIN, tolerance +/- 1/3 x (0,3 + 0,005 x t), operating temperature -196...+600 °C B 1/10 DIN, tolerance +/- 1/10 x (0,3 + 0,005 x t), operating temperature -196...+600 °C
Tolerances TC (EN-60584-2)	Type J tolerance class 1 = -40...375 °C +/- 1,5 °C, 375...750 °C +/- 0,004 x t Type K and N tolerance class 1 = -40...375 °C +/- 1,5 °C, 375...1000 °C +/- 0,004 x t
Temperature range Pt100	-200...+550 °C, depending on application and material
Temperature range TC TC = thermocouple	-40...+1200 °C depending on thermocouple type
Approvals	ATEX, GOST-R, METROLOGICAL PATTERN APPROVAL, ROSTECHNADZOR
Quality certificate	ISO 9001:2008 issued by DNV
IP-class	IP65, higher IP-class on request

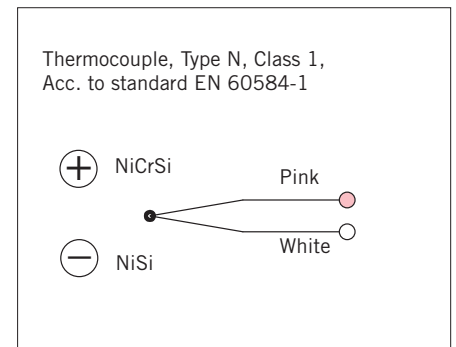
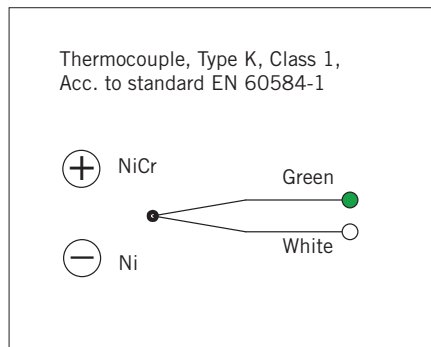
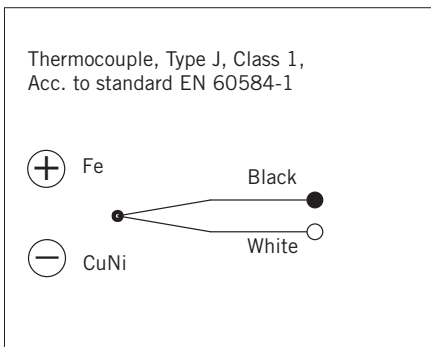


Mineral Insulated Sensing Insert with head T-M-N / W-M-N according to DIN 43721

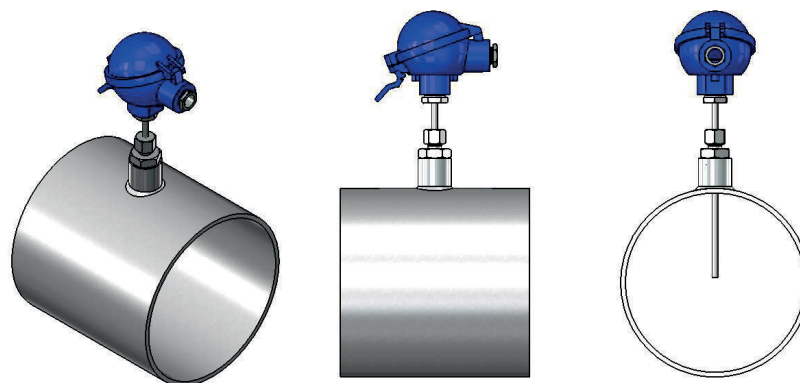
Pt 100 Connections



Thermoelement connections

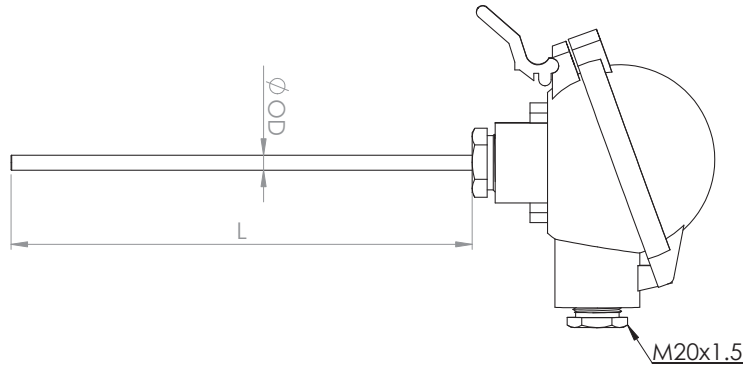


Installation examples

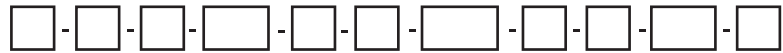


Mineral Insulated Sensing Insert with head T-M-N / W-M-N according to DIN 43721

Drawing



Product code key



Pt100/TC Mineral Insulated Sensing Element with Connection head

Example code: T - M - N - G $\frac{1}{2}$ - L / 6 / 500 - K - 1 - TR - X

W = Pt100 resistance sensor
 2xW = 2XPt100 resistance sensor
 T = Thermocouple
 2xT = 2 x Thermocouple

M = mineral insulated

B = connection head BL
 D = connection head DAN
 D/H = connection head DAN, cover with snap lock (standard)
 D/W/H = connection head high, cover with snap lock
 EXD = connection head ATEX
 HST = acid proof connection head
 N = connection head NA

G $\frac{1}{2}$ = thread size
 [blank] = without thread

L = movable compression fitting
 [blank] = without thread

6 = diameter

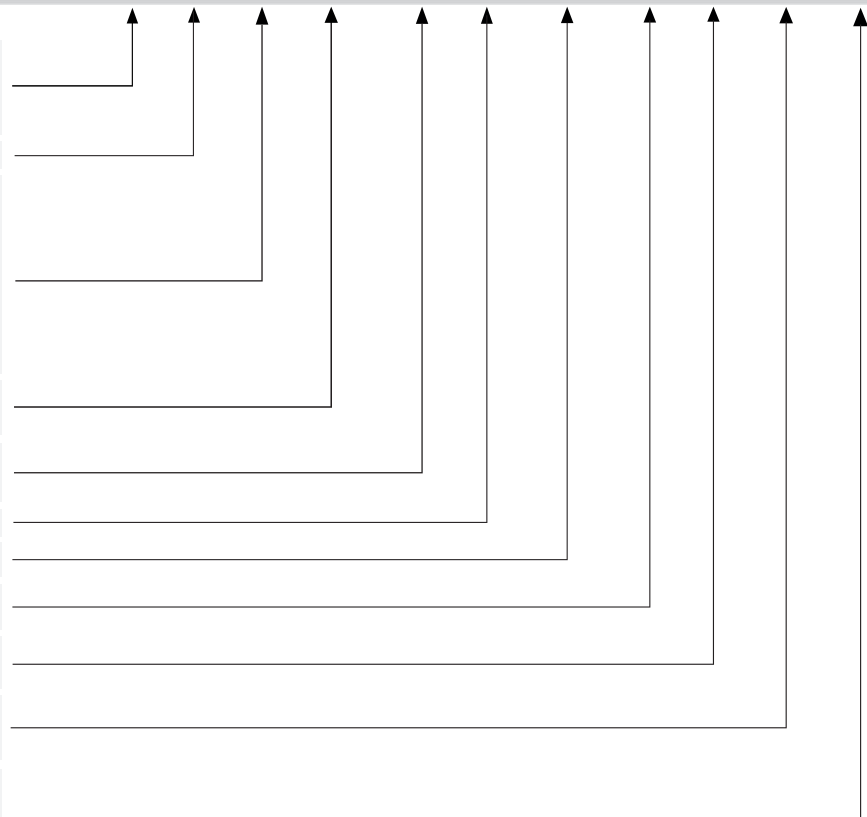
500 = Immersion depth (mm)

4,3,2 = Pt 100 number of connection wires
 K,N,J = TC type

A,B = Pt 100 precision class A (STANDARD)
 1,2,3 = TC accuracy class 1(STANDARD)

TR = free wires for transmitter
 CB = with ceramic terminal block

X = additional details on the text line



Connection heads

