

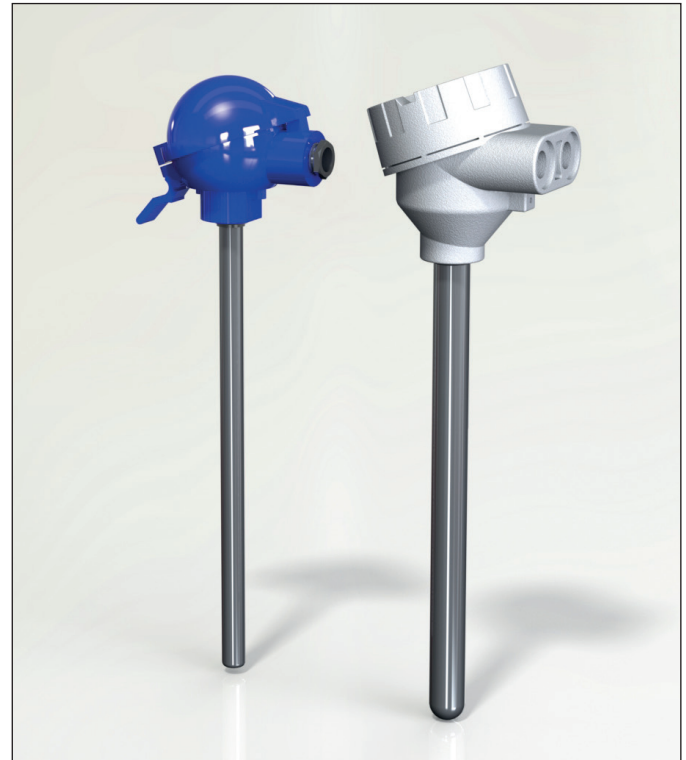
Immersible Temperature Sensor T-A-Ø / W-A-Ø or T-A-Ø-U / W-A-Ø-U according to DIN 43772 form 1

Features

- temperature range -200...+1200 °C
- Pt100 or thermocouple
- standard materials AISI 316L, heat-resistant steel (W 1.4749 etc.), others on request
- available also with solid tip (length 200 mm)
- Pt100, accuracy class A, as a standard, more accurate on request. TC, class 1 as a standard
- replaceable MI-construction inner element
- tailored solutions according to specific needs
- ATEX-versions Ex i and Ex d available

Typical Applications

- Energy and power plant technology
- Process industry
- Chemical industry
- Machinery, plant and vessel construction



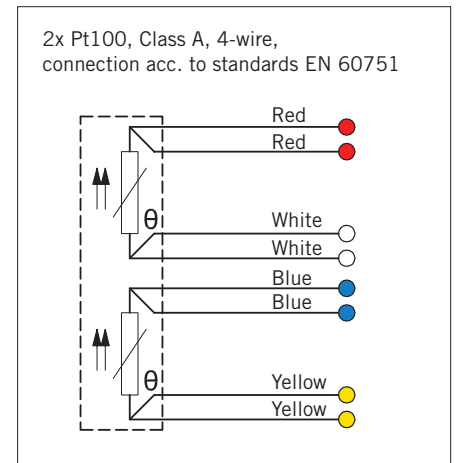
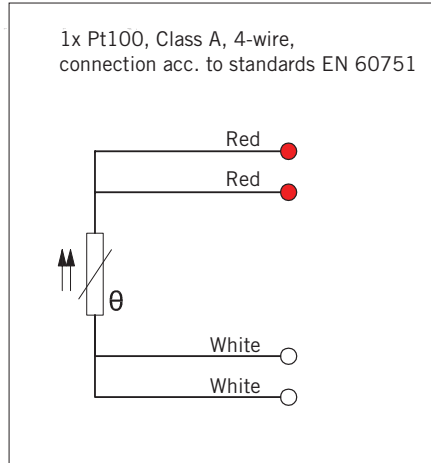
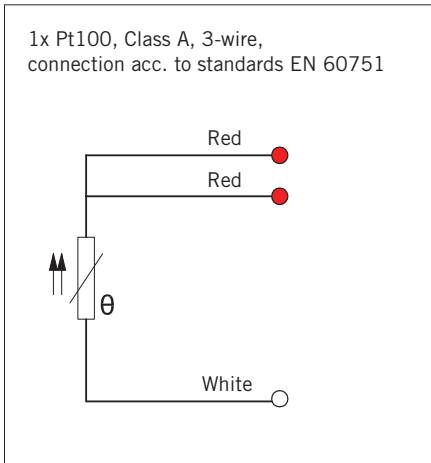
Technical data

Thermowell Material	AISI 316L max. temp. +550 °C Heat-resistant steel 1.4749 or 1.4841 or 1.4845, max. temp. +1100 °C, temporarily +1200 °C, other materials available on request
Tolerances Pt100 (EN-60751)	A, tolerance +/- 0,15 + 0,002 x t, operating temperature -100...+450 °C B, tolerance +/- 0,3 + 0,005 x t, operating temperature -196...+600 °C B 1/3 DIN, tolerance +/- 1/3 x (0,3 + 0,005 x t), operating temperature -196...+600 °C B 1/10 DIN, tolerance +/- 1/10 x (0,3 + 0,005 x t), operating temperature -196...+600 °C
Tolerances TC (EN-60584-2)	Type J tolerance class 1 = -40...375 °C +/- 1,5 °C, 375...750 °C +/- 0,004 x t Type K and N tolerance class 1 = -40...375 °C +/- 1,5 °C, 375...1000 °C +/- 0,004 x t
Temperature range Pt100	-200...+550 °C
Temperature range TC	-200...+1200 °C depending on thermocouple type and thermowell material
Approvals	ATEX, GOST-R, METROLOGICAL PATTERN APPROVAL, ROSTECHNADZOR
Quality certificate	ISO 9001:2008 issued by DNV
IP-class	IP65, higher IP-class on request

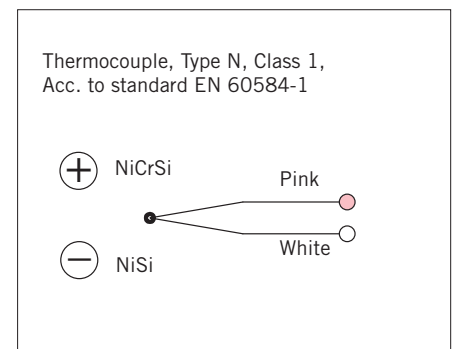
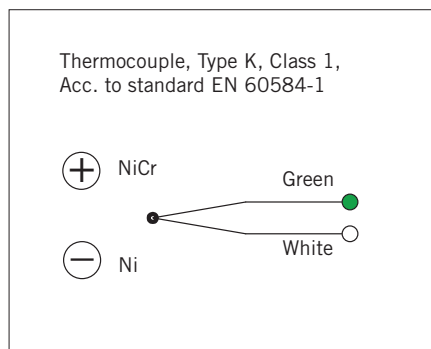
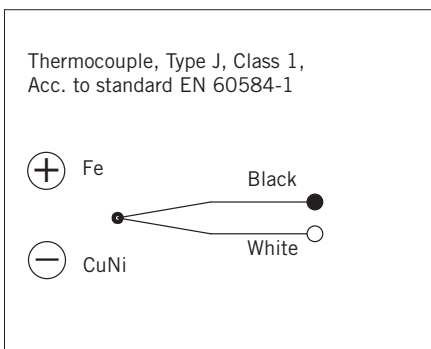


Immersible Temperature Sensor T-A-Ø / W-A-Ø or T-A-Ø-U / W-A-Ø-U according to DIN 43772 form 1

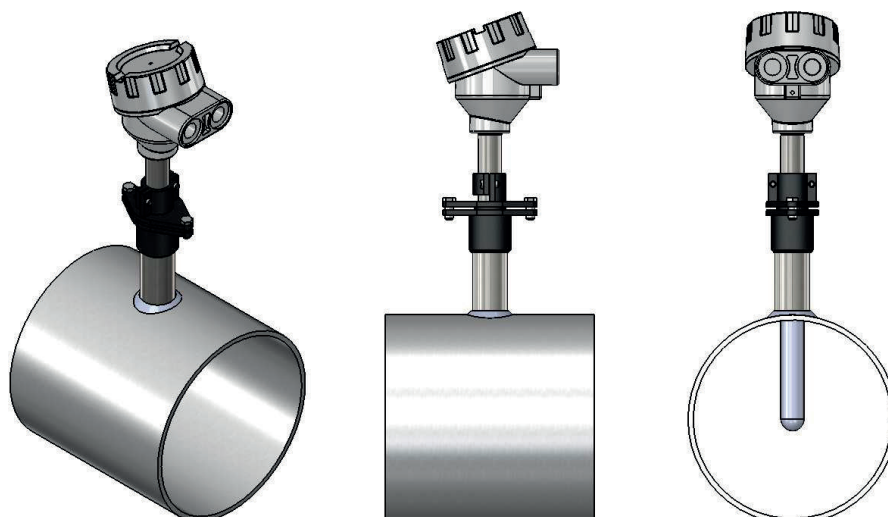
Pt 100 Connections



Thermoelement connections

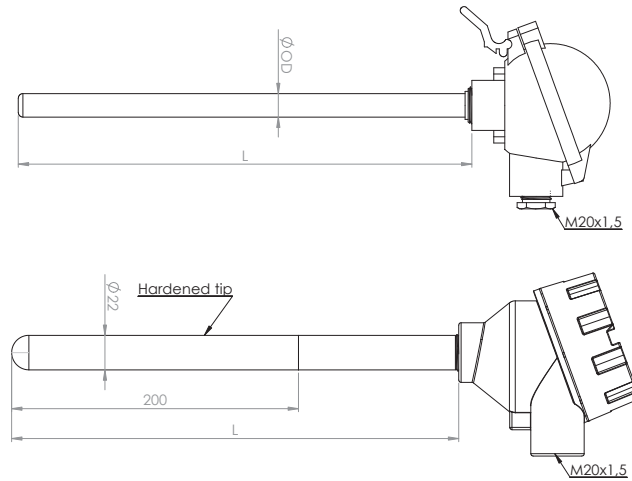


Installation examples



Immersible Temperature Sensor T-A-Ø / W-A-Ø or T-A-Ø-U / W-A-Ø-U according to DIN 43772 form 1

Drawing



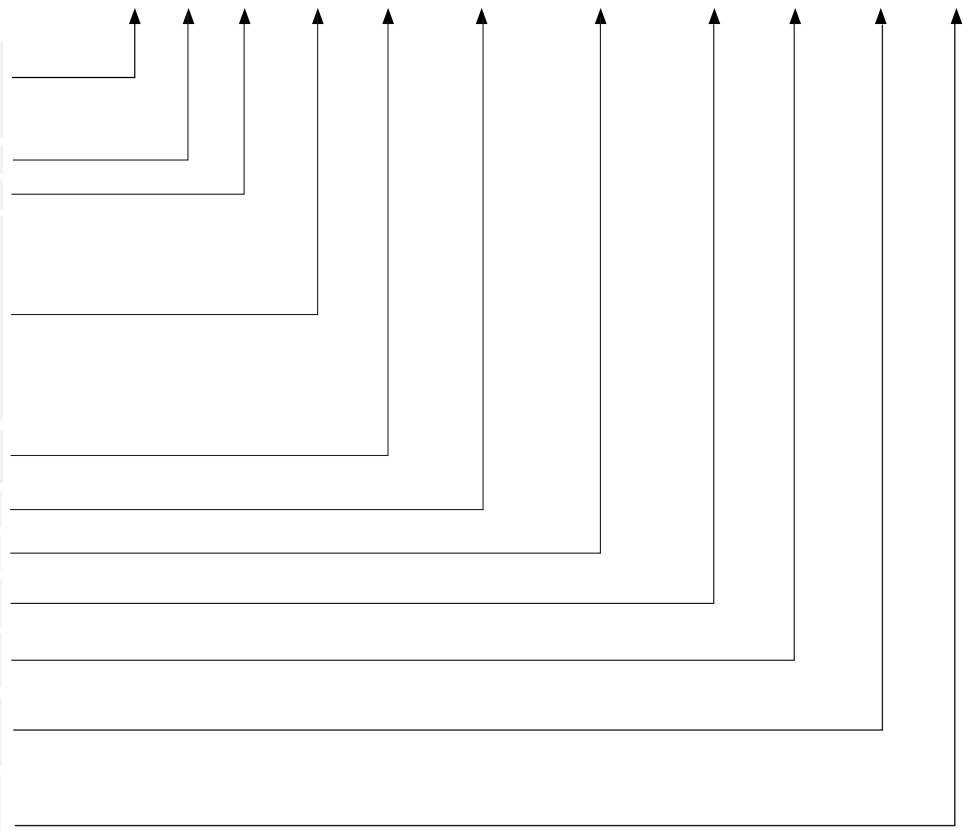
Product code key



Example code: T - A - 22 - D/H - U / 1000 / 1.4845 - K - 1 - TR - X

Immersible Well + Sensing Element

- W = Pt100 resistance sensor
- 2xW = 2xPt100 resistance sensor
- T = Thermocouple
- 2xT = 2 x Thermocouple
- A = immersible temperature sensor
- 22 = sensor diameter
- B = connection head BL
- D = connection head DAN
- D/H = connection head DAN, cover with snap lock (standard)
- D/W/H = connection head high, cover with snap lock
- EXD = connection head ATEX
- HST = acid proof connection head
- N = connection head NA
- [Blank] = without hardened tip
- U = with hardened tip
- 1000 = immersion depth (mm)
- 1.4845 = well material
- 4,3,2 = Pt100 number of connection wires
- K,N,J = TC type
- A,B = Pt100 precision class A (STANDARD)
- 1,2,3 = TC accuracy class 1 (STANDARD)
- TR = free wires for transmitter
- CB = with ceramic terminal block
- X = Additional details on the text line



Connection heads

