

Threaded Cable Temperature Sensor W-SCREW / T-SCREW

Features

- temperature sensor for multiple temperature measurement purposes
- temperature range -200...+300 °C
- Pt100 or thermocouple
- standard materials AISI 316L, others on request
- Pt100, accuracy class A, as a standard, more accurate on request. TC, class 1 as a standard
- tailored solutions according to specific needs

Typical Applications

- process industry
- chemical industry
- machinery, plant and vessel construction



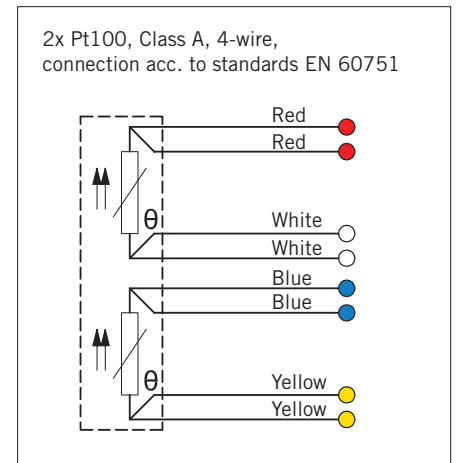
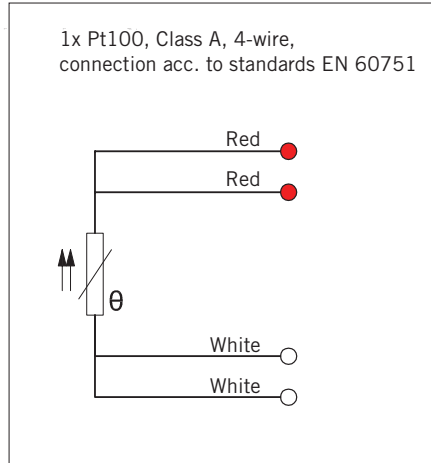
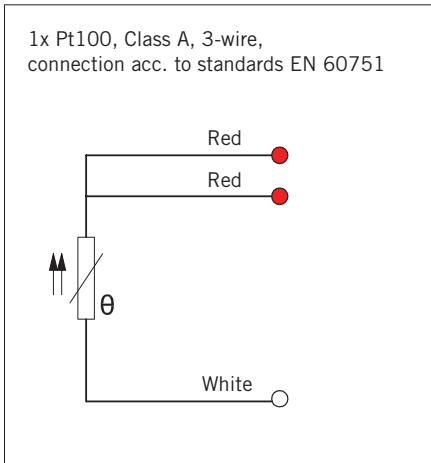
Technical data

Probe material	AISI, max. temp. +250 °C, temporarily +300 °C.
Probe diameter	3, 4, 5, 6 or 8mm. Others on request.
Thread size and length	according to request
Cable material	SIL = silicon, max +180 °C FEP = teflon®, max +205 °C GGD = glass silk/metal braid, max +350 °C
Tolerances Pt100 (EN-60751)	A, tolerance +/- 0,15 + 0,002 x t, operating temperature -100...+450 °C B, tolerance +/- 0,3 + 0,005 x t, operating temperature -196...+600 °C B 1/3 DIN, tolerance +/- 1/3 x (0,3 + 0,005 x t), operating temperature -196...+600 °C B 1/10 DIN, tolerance +/- 1/10 x (0,3 + 0,005 x t), operating temperature -196...+600 °C
Tolerances TC (EN-60584-2)	Type J tolerance class 1 = -40...375 °C +/- 1,5 °C, 375...750 °C +/- 0,004 x t Type K and N tolerance class 1 = -40...375 °C +/- 1,5 °C, 375...1000 °C +/- 0,004 x t
Temperature range Pt100	-200...+300 °C, depending on application and material.
Temperature range TC TC = thermocouple	-200...+300 °C depending on thermocouple type and material.
Approvals	GOST-R, METROLOGICAL PATTERN APPROVAL, ROSTECHNADZOR
Quality certificate	ISO 9001:2008 issued by DNV

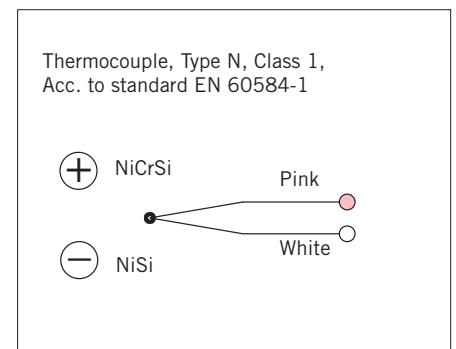
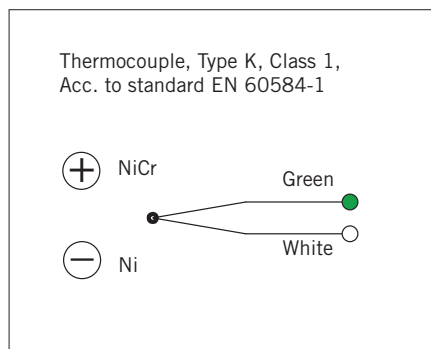
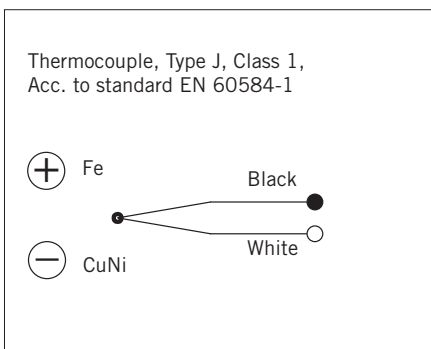


Threaded Cable Temperature Sensor W-SCREW / T-SCREW

Pt 100 Connections

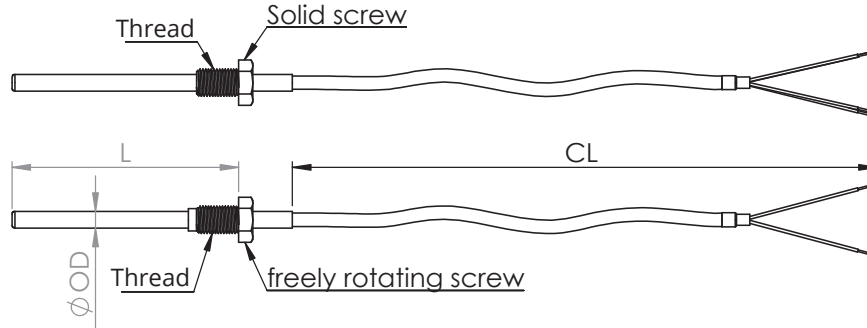


Thermoelement connections

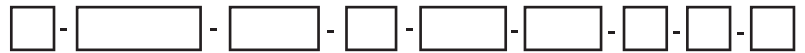


Threaded Cable Temperature Sensor W-SCREW / T-SCREW

Drawing



Product code key



Example code: W - SCREW - M6x1 / 10 - 5000 - SIL - 4 - A - X

Threaded Cable Temperature Sensor

W	= Pt100 resistance sensor
2xW	= 2XPt100 resistance sensor
T	= Thermocouple
2xT	= 2 x Thermocouple
SCREW	= cable sensor with screw
M6X1	= thread size
10	= thread length
5000	= cable length (mm)
SIL	= cable Insulation material
4,3,2	= Pt100 number of connection wires
K,N,J	= TC type
A,B	= Pt100 precision class A (STANDARD)
1,2,3	= TC precision class 1 (STANDARD)
X	= additional details on the text line

