

# Magnet Temperature Sensor W-MAGN

## Features

- Temperature sensor with magnet for easy and quick installation
- temperature range -200...+350 °C
- Pt100, accuracy class A, as a standard, more accurate on request
- standard materials AISI 316L, others on request
- tailored solutions according to specific needs

## Typical Applications

- Energy and power plant technology
- Process industry
- Chemical industry
- Machinery, plant and vessel construction

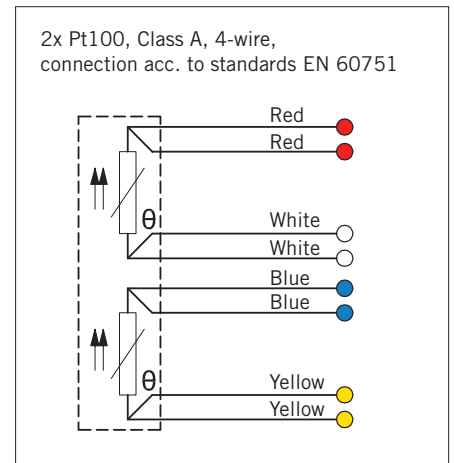
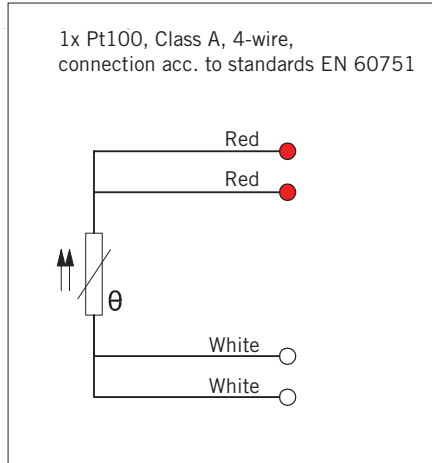
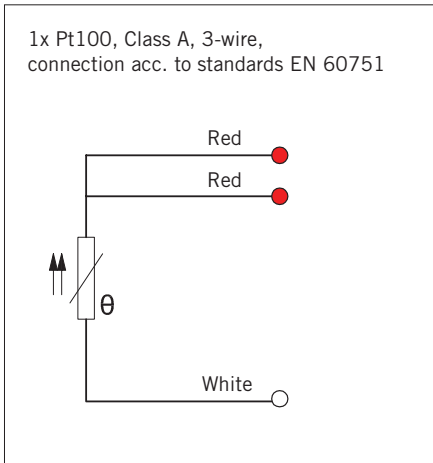


## Technical data

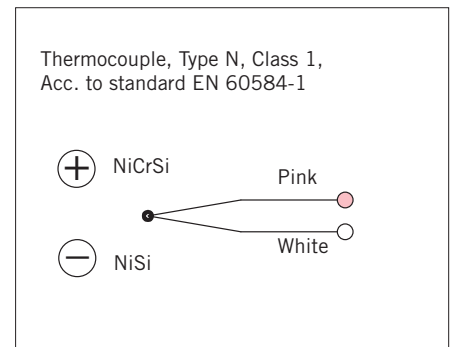
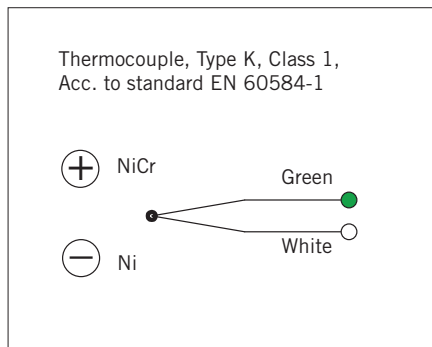
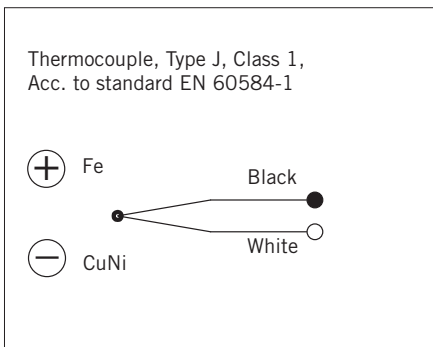
<b>Probe material</b>	AISI, max. temp. +250 °C, temporarily +300 °C.
<b>Magnet size</b>	Outer diameter 25 mm / height 7 mm Outer diameter 60 mm / height 15 mm Others on request.
<b>Cable material</b>	SIL = silicon, max +180 °C FEP = teflon®, max +205 °C GGD = glass silk/metal braid, max +350 °C
<b>Tolerances Pt100 (EN-60751)</b>	A, tolerance +/- 0,15 + 0,002 x t, operating temperature -100...+450 °C B, tolerance +/- 0,3 + 0,005 x t, operating temperature -196...+600 °C B 1/3 DIN, tolerance +/- 1/3 x (0,3 + 0,005 x t), operating temperature -196...+600 °C B 1/10 DIN, tolerance +/- 1/10 x (0,3 + 0,005 x t), operating temperature -196...+600 °C
<b>Tolerances TC (EN-60584-2)</b>	Type J tolerance class 1 = -40...375 °C +/- 1,5 °C, 375...750 °C +/- 0,004 x t Type K and N tolerance class 1 = -40...375 °C +/- 1,5 °C, 375...1000 °C +/- 0,004 x t
<b>Temperature range Pt100</b>	-200...+350 °C, depending on application and material.
<b>Temperature range TC TC = thermocouple</b>	-200...+350 °C depending on thermocouple type and material.
<b>Approvals</b>	GOST-R, METROLOGICAL PATTERN APPROVAL, ROSTECHNADZOR
<b>Quality certificate</b>	ISO 9001:2008 issued by DNV

# Magnet Temperature Sensor W-MAGN

## Pt 100 Connections

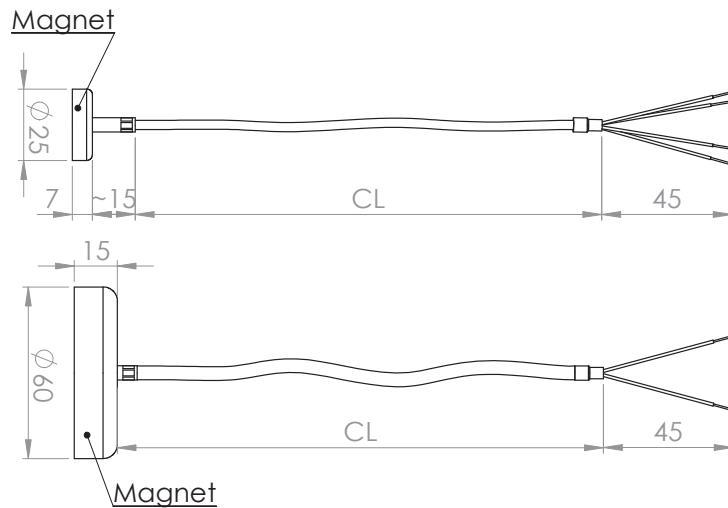


## Thermoelement connections



# Magnet Temperature Sensor W-MAGN

## Drawing



## Product code key



**Example code:** W- MAGN - D25/5,5x7 - 5000 / SIL - 4 - A - X

### Temperature sensor with magnet

W	= Pt100 resistance sensor
2xW	= 2XPt100 resistance sensor
T	= Thermocouple
2xT	= 2 x Thermocouple
MAGN	= sensor with magnet
D25/5,5x7	= dimensions of the magnet
D60/7,5x15	= dimensions of the magnet
5000	= cable length (mm)
SIL	= cable Insulation material
4,3,2	= Pt100 number of connection wires
K,N,J	= TC type
A,B	= Pt100 precision class A (STANDARD)
1,2,3	= TC precision class 1 (STANDARD)
X	= additional details on the text line
	_____
	_____

