

Pipe Surface Temperature Sensor W-RO or T-RO

Features

- temperature sensor for measuring surface temperature, from pipelines, tanks etc.
- temperature range -200...+1000 °C
- Pt100 or thermocouple
- standard materials AISI 316L or INCONEL 600, others on request
- Pt100, accuracy class A, as a standard, more accurate on request. TC, class 1 as a standard
- MI-construction, bendable, vibration proof
- tailored solutions according to specific needs

Typical Applications

- energy and power plant technology
- process industry
- chemical industry
- machinery, plant and vessel construction



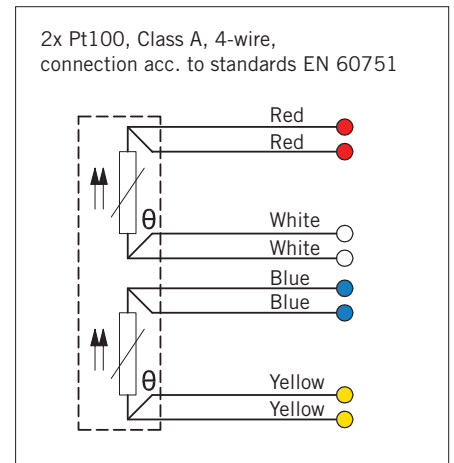
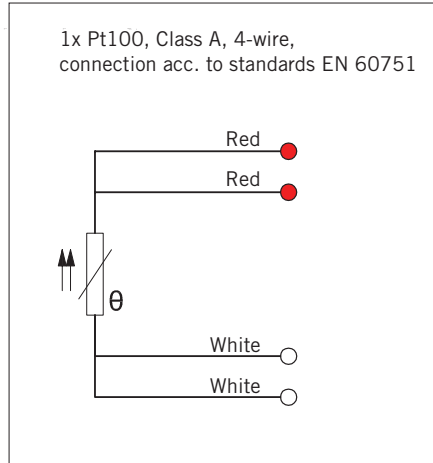
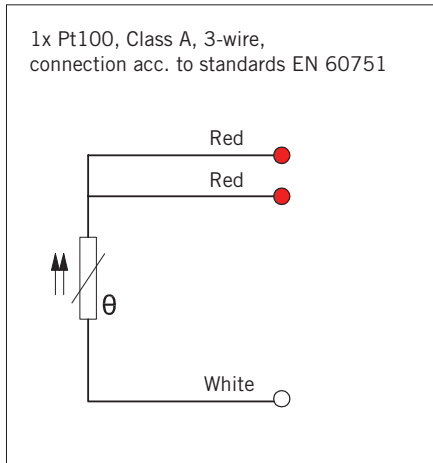
Technical data

Mi-wire material	AISI, max. temp. +550 °C, temporarily +600 °C. INCONEL 600, max. +1000 °C, temporarily +1200 °C.
Fits to pipe sizes	0...1000 mm, others on request.
Cable material	SIL = silicon, max +180 °C FEP = teflon®, max +205 °C GGD = glass silk/metal braid, max +350 °C
Tolerances Pt100 (EN-60751)	A, tolerance +/- 0,15 + 0,002 x t, operating temperature -100...+450 °C B, tolerance +/- 0,3 + 0,005 x t, operating temperature -196...+600 °C B 1/3 DIN, tolerance +/- 1/3 x (0,3 + 0,005 x t), operating temperature -196...+600 °C B 1/10 DIN, tolerance +/- 1/10 x (0,3 + 0,005 x t), operating temperature -196...+600 °C
Tolerances TC (EN-60584-2)	Type J tolerance class 1 = -40...375 °C +/- 1,5 °C, 375...750 °C +/- 0,004 x t Type K and N tolerance class 1 = -40...375 °C +/- 1,5 °C, 375...1000 °C +/- 0,004 x t
Temperature range Pt100	-200...+550 °C, depending on application and material.
Temperature range TC TC = thermocouple	-200...+1000 °C depending on thermocouple type and material.
Approvals	GOST-R, METROLOGICAL PATTERN APPROVAL, ROSTECHNADZOR
Quality certificate	ISO 9001:2008 issued by DNV

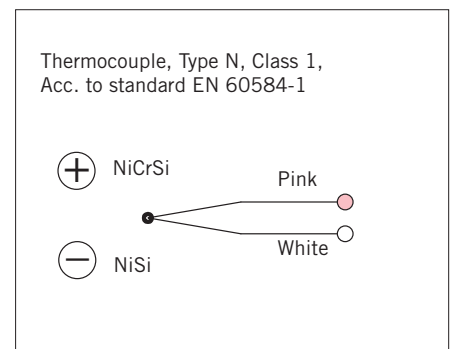
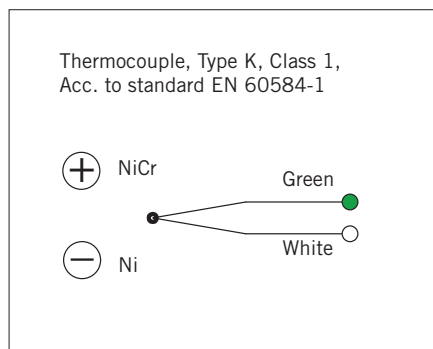
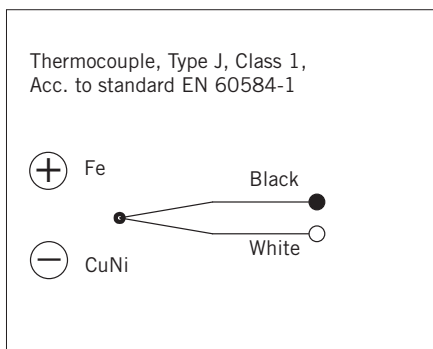


Pipe Surface Temperature Sensor W-RO or T-RO

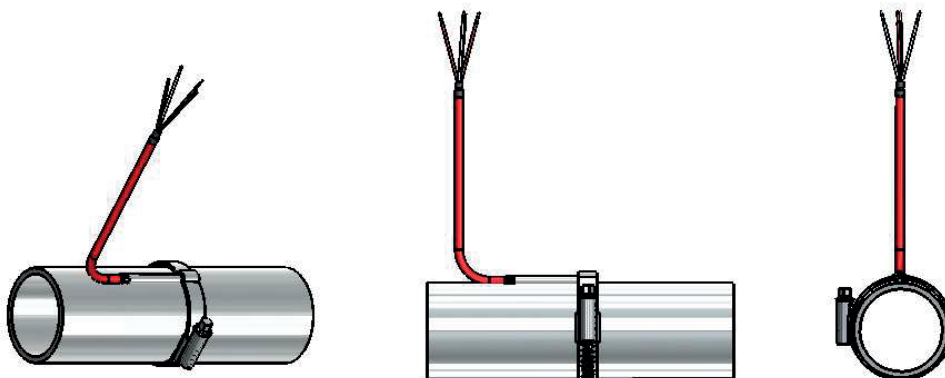
Pt 100 Connections



Thermoelement connections

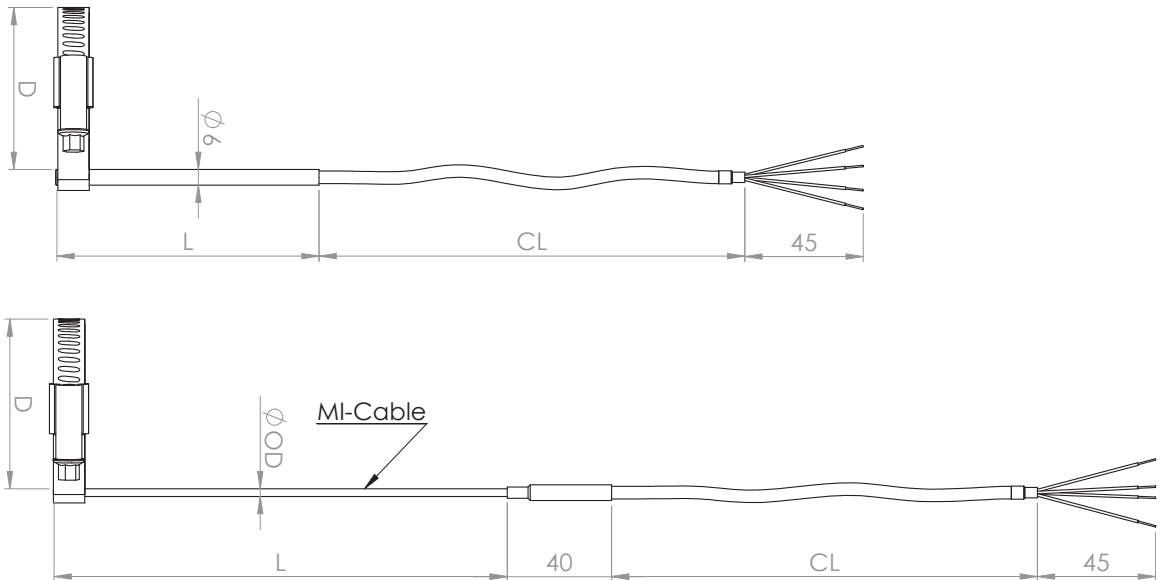


Installation examples



Pipe Surface Temperature Sensor W-RO or T-RO

Drawing



Product code key



Example code: W- RO - M - 3 / 500 - 5000 / SIL - 4 - A D=25 - X

Pipe Surface Temperature Sensor

- W = Pt100 resistance sensor
- 2xW = 2xPt100 resistance sensor
- T = Thermocouple
- 2xT = 2 x Thermocouple
- RO = surface sensor with tube collar
- Blank = without Mineral insulation cable
- M = mineral insulated construction
- 3 = diameter
- 500 = immersion depth (mm)
- 5000 = cable length (mm)
- SIL = cable Insulation material
- 4,3,2 = Pt100 number of connection wires
- K,N,J = TC type
- A,B = Pt100 precision class A (STANDARD)
- 1,2,3 = TC precision class 1 (STANDARD)
- D=25 = diameter of process pipe
- X = additional details on the text line

