

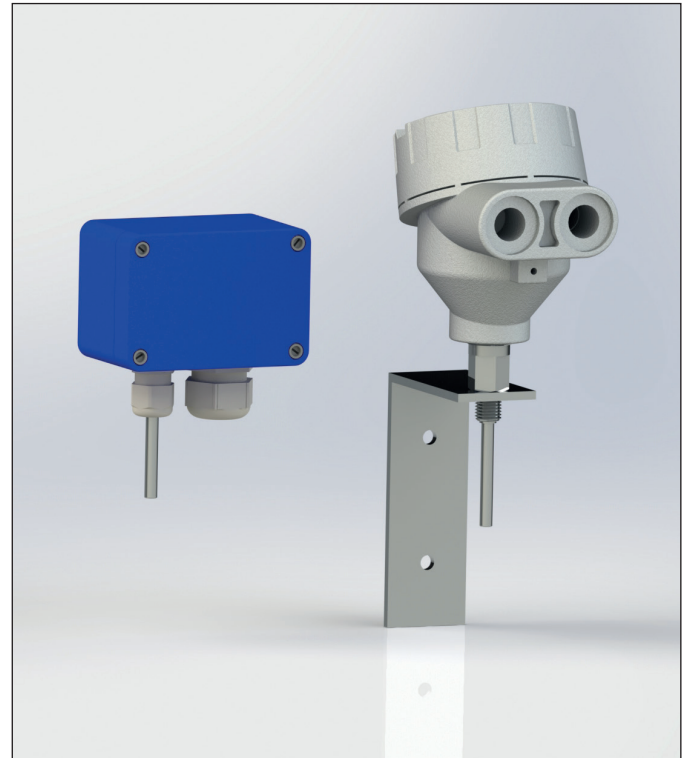
Indoor/outdoor Resistance Sensor W-K-F

Features

- temperature range -40...+80 °C
- Pt100, accuracy class A, as a standard, more accurate on request. TC on request
- sensing insert made of acid proof steel, highly polished, quick response time
- with or without transmitter
- available with plastic or metal housing
- tailored solutions according to specific needs
- ATEX-versions, Ex i and Ex d available

Typical Applications

- Energy and power plant technology
- Process industry
- Chemical industry
- Machinery, plant and vessel construction

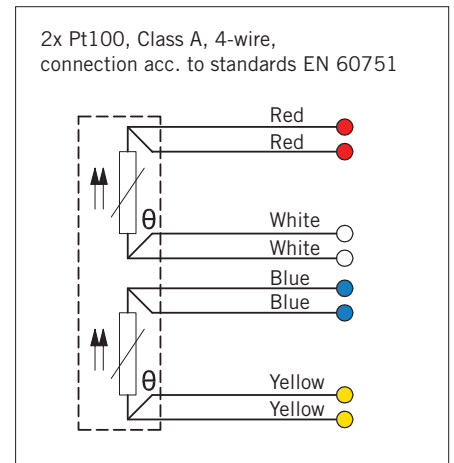
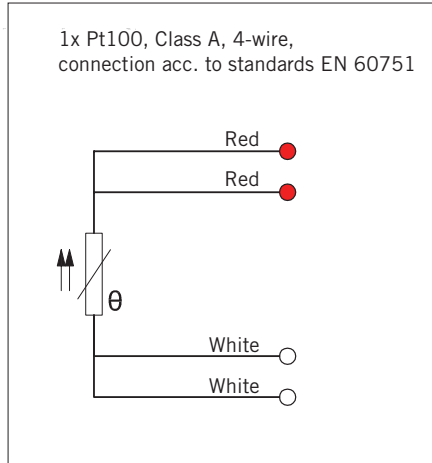
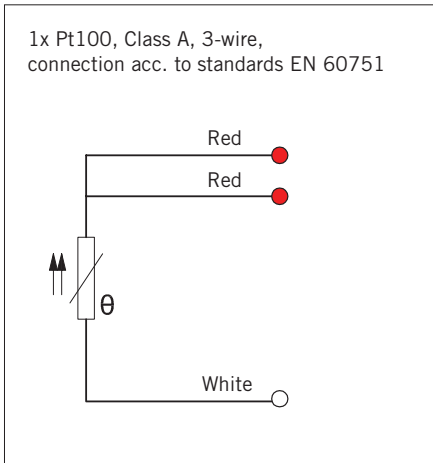


Technical data

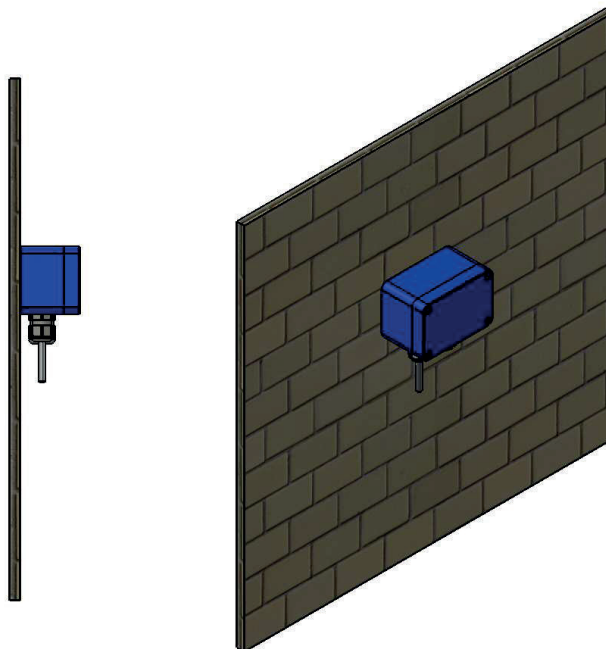
Dimensions of housing	W x H x D 96x64x57. Others on request.
Tolerances Pt100 (EN-60751)	A, tolerance +/- 0,15 + 0,002 x t, operating temperature -100...+450 °C B, tolerance +/- 0,3 + 0,005 x t, operating temperature -196...+600 °C B 1/3 DIN, tolerance +/- 1/3 x (0,3 + 0,005 x t), operating temperature -196...+600 °C B 1/10 DIN, tolerance +/- 1/10 x (0,3 + 0,005 x t), operating temperature -196...+600 °C
Temperature range Pt100	-40...+80 °C. Others on request.
Approvals	ATEX, GOST-R, METROLOGICAL PATTERN APPROVAL, ROSTECHNADZOR
Quality certificate	ISO 9001:2008 issued by DNV
IP-class	IP65, higher IP-class on request

Indoor/outdoor Resistance Sensor W-K-F

Pt 100 Connections

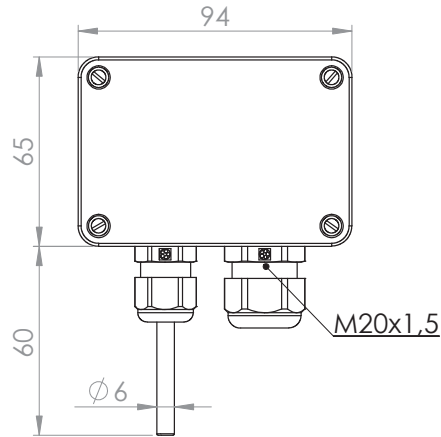


Installation examples



Indoor/outdoor Resistance Sensor W-K-F

Drawing



Product code key

□ - □ - □ - □ - □ - □ - □

Example code: W - K - F - 4 - A - TR - X

Indoor/Outdoor sensor

- W = Pt100 resistance sensor
 - 2xW = 2xPt100 resistance sensor
 - K-F = indoor or outdoor sensor
 - 4 = Pt 100 number of connection wire
 - A = Pt100 precision class A (STANDARD)
 - TR = free wires for transmitter
 - CB = with ceramic terminal block
 - X = additional details on the text line
- _____
- _____
- Note! If EXd. Please contact to our sales

