

Welded Temperature Sensor T-D / W-D

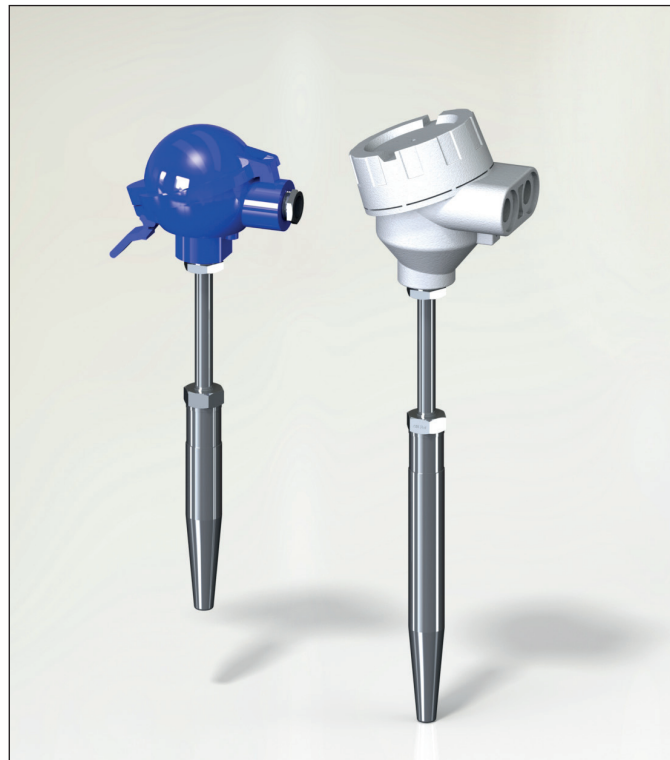
according to DIN 43772 form 4

Features

- temperature range - 200...+1200 °C
- Pt100 or thermocouple
- with welded thermowell
- thermowell material according to the application
- Pt100, accuracy class A, as a standard, more accurate on request. TC, class 1 as a standard
- replaceable inner element, MI-construction
- tailored solutions according to specific needs
- ATEX-versions, Ex i and Ex d available

Typical Applications

- Energy and power plant technology
- Process industry
- Chemical industry
- Machinery, plant and vessel construction



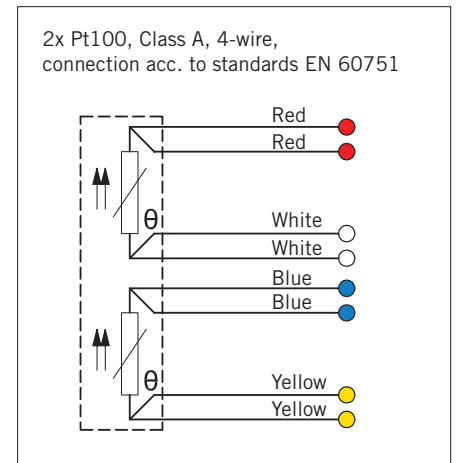
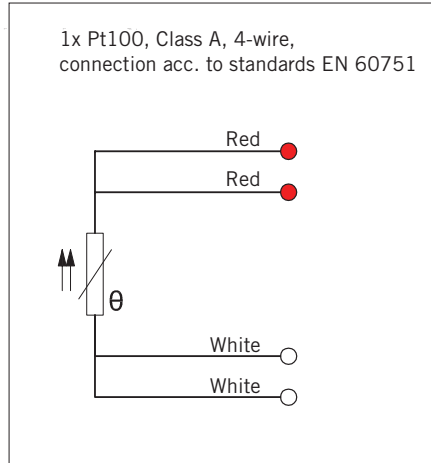
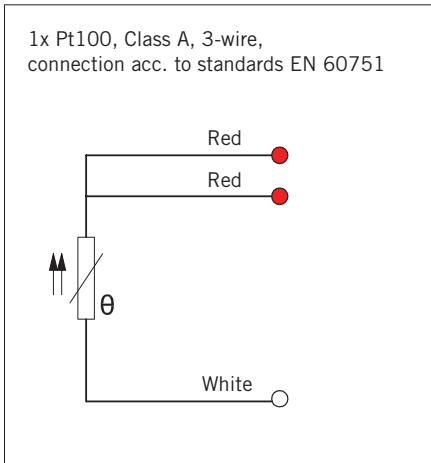
Technical data

Thermowell Material	K = AISI 316L max. temp. +550 °C L = 13CrMo44/1.7335 max. temp. +550 °C M = 10CrMo910/1.7380 max. temp. +580 °C O = 16Mo3/1.5415 max. temp. +480 °C other materials available on request
Thermowell type according to DIN 43772 Form 4	D1/D2, D4/D5, D3/D6, others on request
Tolerances Pt100 (EN-60751)	A, tolerance +/- 0,15 + 0,002 x t, operating temperature -100...+450 °C B, tolerance +/- 0,3 + 0,005 x t, operating temperature -196...+600 °C B 1/3 DIN, tolerance +/- 1/3 x (0,3 + 0,005 x t), operating temperature -196...+600 °C B 1/10 DIN, tolerance +/- 1/10 x (0,3 + 0,005 x t), operating temperature -196...+600 °C
Tolerances TC (EN-60584-2)	Type J tolerance class 1 = -40...375 °C +/- 1,5 °C, 375...750 °C +/- 0,004 x t Type K and N tolerance class 1 = -40...375 °C +/- 1,5 °C, 375...1000 °C +/- 0,004 x t
Temperature range Pt100	-200...+550 °C
Temperature range TC	-200...+1200 °C depending on thermoelement type and thermowell material
Approvals	ATEX, GOST-R, METROLOGICAL PATTERN APPROVAL, ROSTECHNADZOR
Quality certificate	ISO 9001:2008 issued by DNV
IP-class	IP65, higher IP-class on request

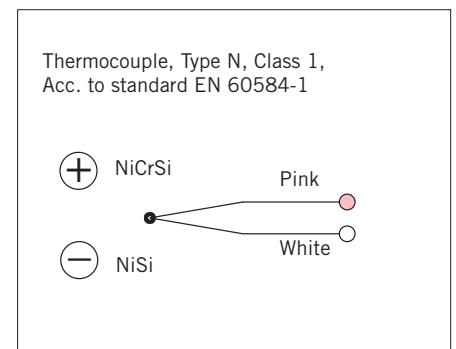
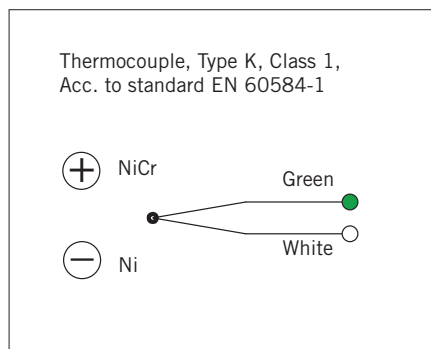
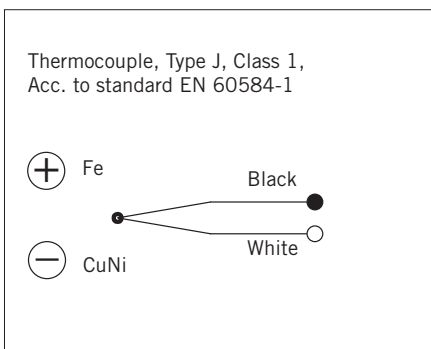


Welded Temperature Sensor T-D / W-D according to DIN 43772 form 4

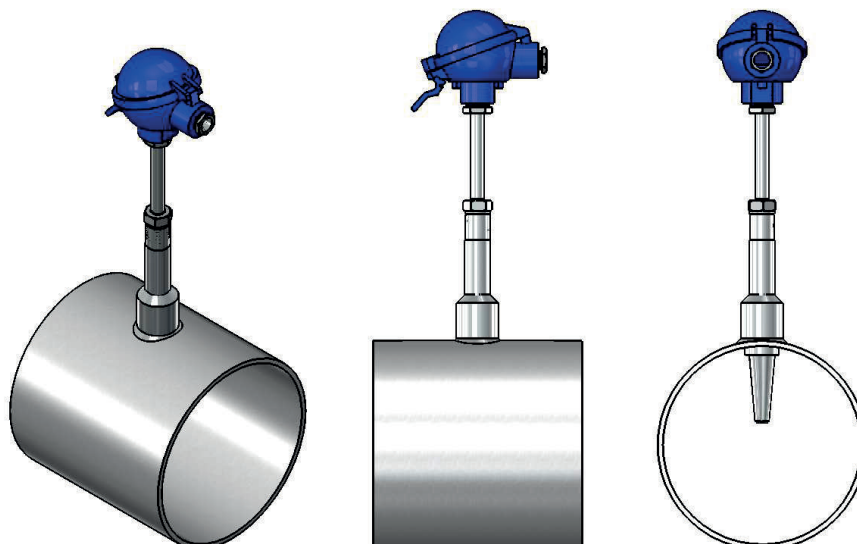
Pt 100 Connections



Thermoelement connections

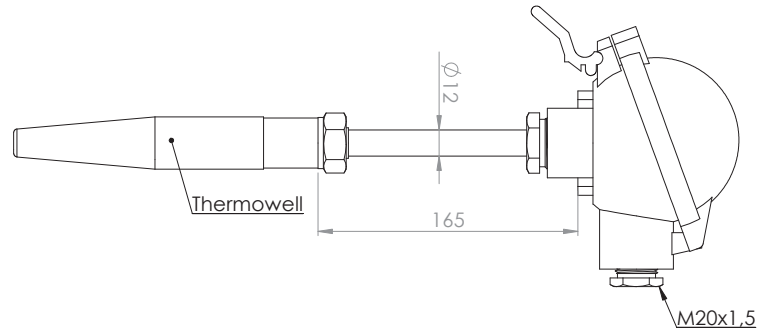


Installation examples

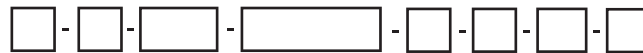


Welded Temperature Sensor T-D / W-D according to DIN 43772 form 4

Drawing



Product code key



Example code: W - D - D1/K - D / W / H - 4 - A - TR - X

Welded Well + Pt100/Thermocouple Sensing Element

- W = Pt100 resistance sensor
- 2xW = 2xPt100 resistance sensor
- T = Thermocouple
- 2xT = 2 x Thermocouple

- D = welded well

- D1 = thermowell size (D1, D2, D4, D5)
- K = AISI 316L
- L = 13CrMo44/1.7335
- M = 10CrMo910/1.7380
- O = 16Mo3/1.5415
- other materials available on request

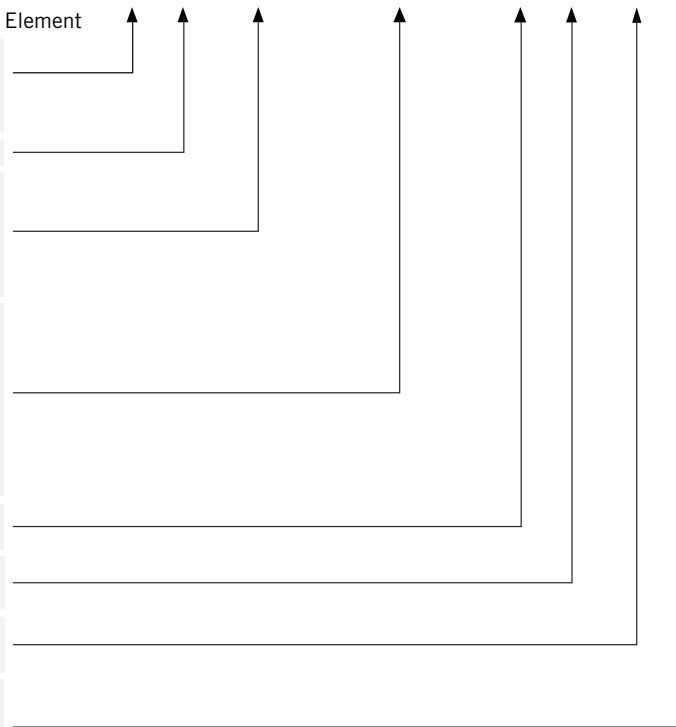
- B = connection head BL
- D = connection head DAN
- D/H = connection head DAN, cover with snap lock (standard)
- D/W/H = connection head high, cover with snap lock
- EXD = connection head ATEX
- HST = acid proof connection head
- N = connection head NA

- 4,3,2 = Pt 100 number of connection wires
- K,N,J = TC type of thermocouple

- A,B = Pt100 precision class A (STANDARD)
- 1,2,3 = TC accuracy class 1 (STANDARD)

- TR = free wires for transmitter
- CB = with ceramic terminal block

- X = additional details on the text line



Connection heads

