

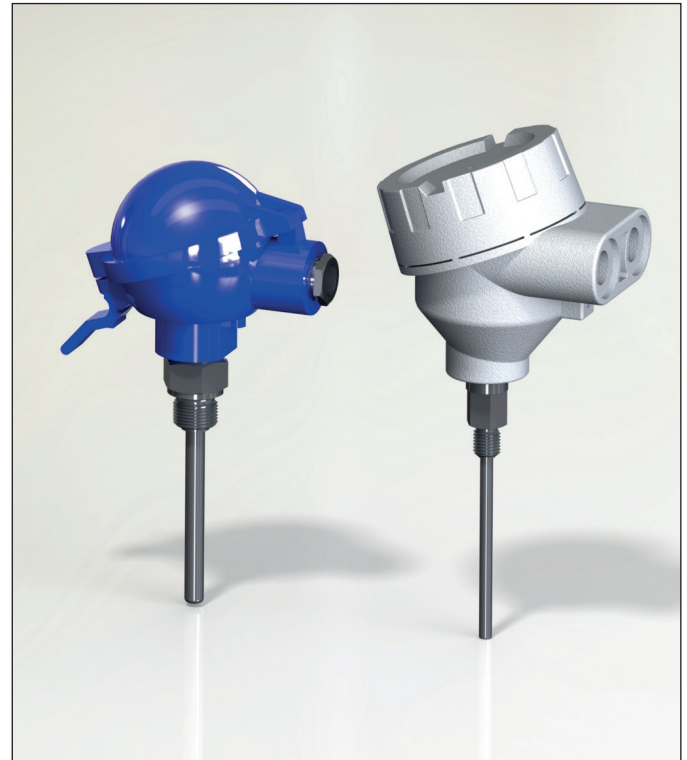
Threaded Temperature Sensor T-B-ØK / W-B-ØK according to DIN 43772 form 2

Features

- temperature range -40...+250 °C
- Pt100 or thermocouple
- thermowell material according to the application
- Pt100, accuracy class A, as a standard, more accurate on request. TC, class 1 as a standard
- replaceable inner element, MI-construction
- tailored solutions according to specific needs
- ATEX-versions, Exi and Exd available

Typical applications

- Energy and power plant technology
- Process industry
- Chemical industry
- Machinery, plant and vessel construction



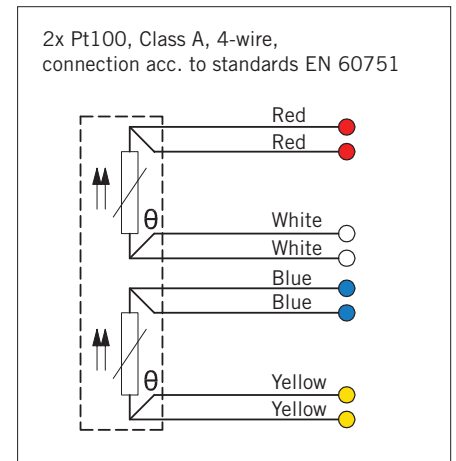
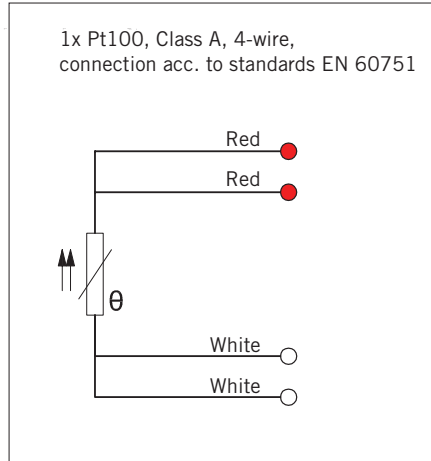
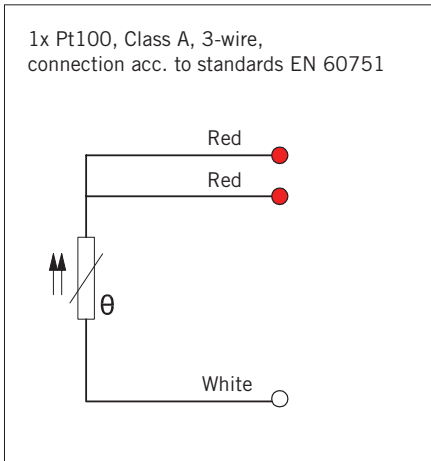
Technical data

Thermowell Material	AISI, max. temp. +250 °C, temporarily +300 °C
Standard thread options	G, R, NPT, M, others on request
Tolerances Pt100 (EN-60751)	A, tolerance +/- 0,15 + 0,002 x t, operating temperature -100...+450 °C B, tolerance +/- 0,3 + 0,005 x t, operating temperature -196...+600 °C B 1/3 DIN, tolerance +/- 1/3 x (0,3 + 0,005 x t), operating temperature -196...+600 °C B 1/10 DIN, tolerance +/- 1/10 x (0,3 + 0,005 x t), operating temperature -196...+600 °C
Tolerances TC (EN-60584-2)	Type J tolerance class 1 = -40...375 °C +/- 1,5 °C, 375...750 °C +/- 0,004 x t Type K and N tolerance class 1 = -40...375 °C +/- 1,5 °C, 375...1000 °C +/- 0,004 x t
Temperature range Pt100	-40...+250 °C
Temperature range TC TC = thermo couple	-40...+250 °C depending on thermocouple type
Approvals	ATEX, GOST-R, METROLOGICAL PATTERN APPROVAL, ROSTECHNADZOR
Quality certificate	ISO 9001:2008 issued by DNV
IP-class	IP65, higher IP-class on request

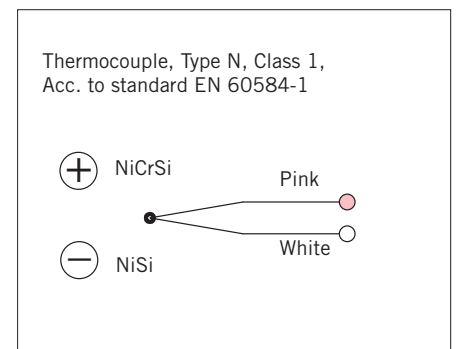
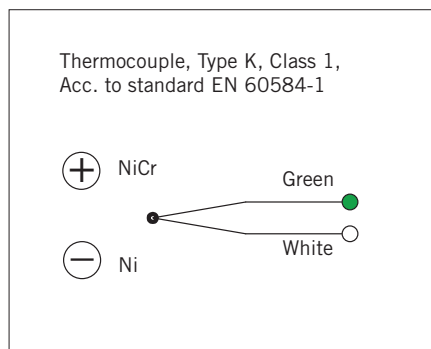
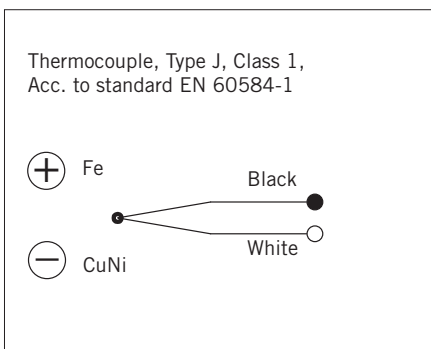


Threaded Temperature Sensor T-B-ØK / W-B-ØK according to DIN 43772 form 2

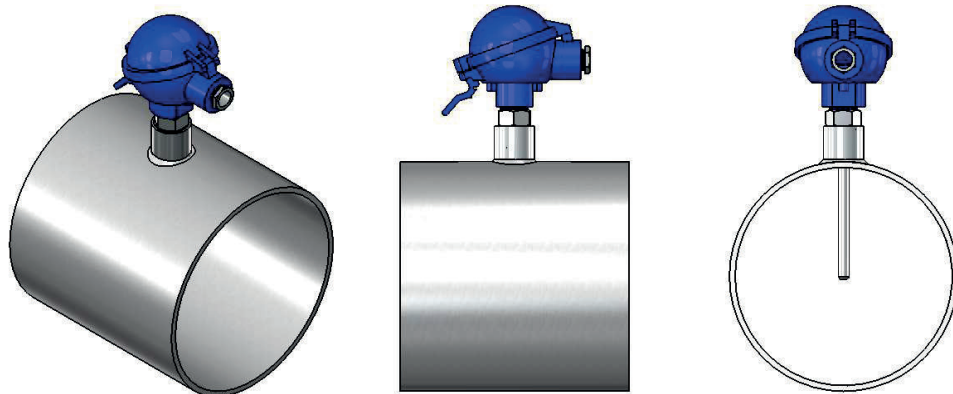
Pt 100 Connections



Thermoelement connections

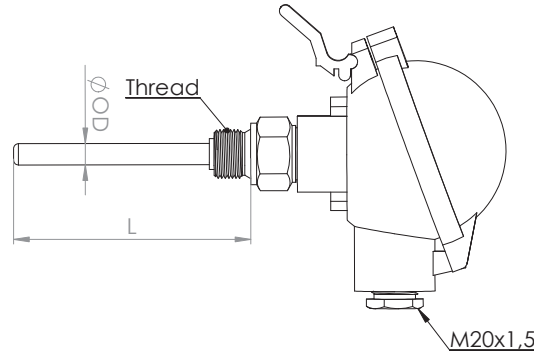


Installation examples



Threaded Temperature Sensor T-B-ØK / W-B-ØK according to DIN 43772 form 2

Drawing



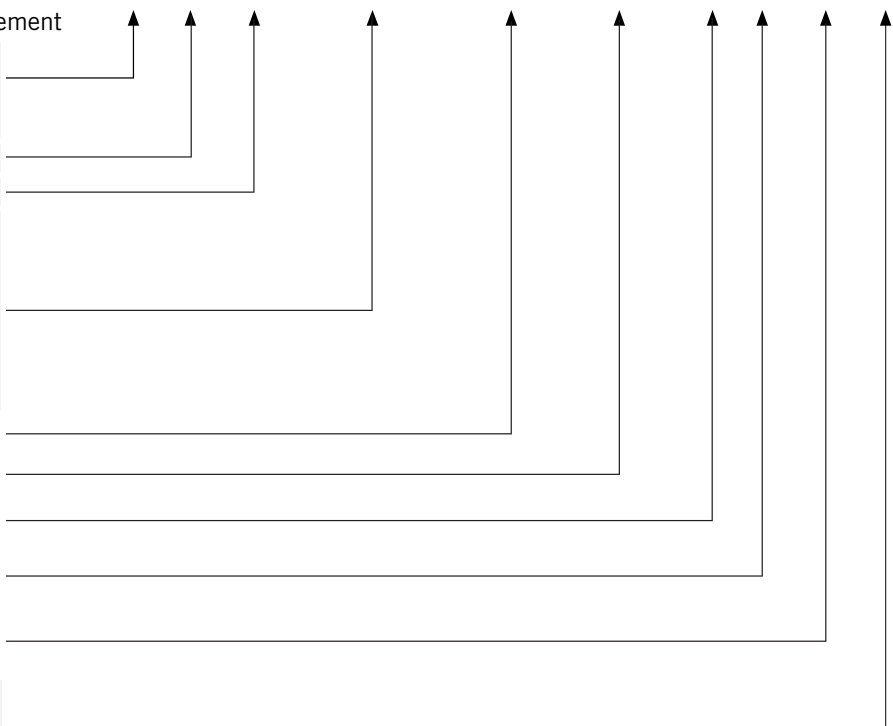
Product code key



Example code: W - B - 9K - D / W / H - 160 - G $\frac{1}{2}$ " - 4 - A - TR - X

Well + Pt100/Thermocouple Sensing Element

W	= Pt100 resistance sensor
2xW	= 2xPt100 resistance sensor
T	= Thermocouple
2xT	= 2 x Thermocouple
B	= coupling thread
9K	= well diameter (mm), K = no cooling neck
B	= connection head BL
D	= connection head DAN
D/H	= connection head DAN, cover with snap lock (standard)
D/W/H	= connection head high, cover with snap lock
EXD	= connection head ATEX
HST	= acid proof connection head
N	= connection head NA
160	= immersion depth (mm)
G $\frac{1}{2}$ "	= thread size
4,3,2	= Pt 100 number of connection wires
K,N,J	= TC type of thermocouple
A,B	= Pt100 precision class A (STANDARD)
1,2,3	= TC accuracy class 1 (STANDARD)
TR	= free wires for transmitter
CB	= with ceramic terminal block
X	= additional details on the text line



Connection heads

