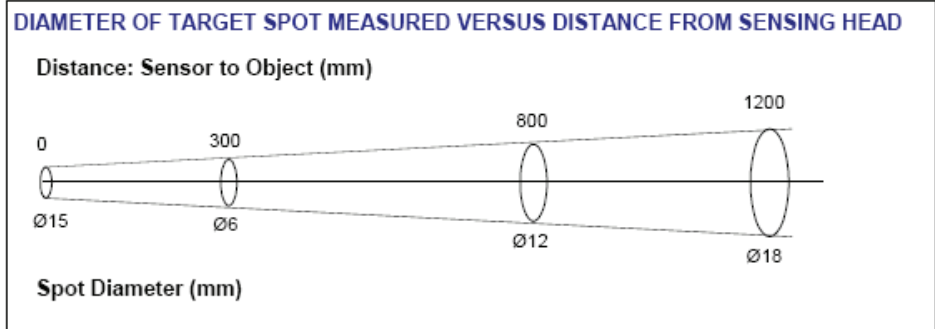


Convir DL Series Non-Contact Temperature Switch

- Temperature Range up to 1500°C
- Relay Switch Output
- 1 ms Response Time
- Narrow 66:1 Field Of View
- LED Pilot Light

The DL series is a range of high temperature fast response temperature switches. They are designed for use in the detection of hot metal parts, or as part of a counting or positioning process. These switches offer temperature ranges from 400 °C to 1500 °C, with an ultra fast response time of just 1 ms and a transistor switch output of either 20 V DC or 30 mA. The switching temperature of the DL series can be adjusted using a potentiometer at the rear of the instrument to suit individual requirements. A narrow 66:1 field of view is provided as standard, with an LED pilot light to ensure accurate alignment with the process to be monitored



The DL series is a range of high temperature fast response temperature switches. They are designed for use in the detection of hot metal parts, or as part of a counting or positioning process. These switches offer temperature ranges from 400 °C to 1500 °C, with an ultra fast response time of just 1 ms and a transistor switch output of either 20 V DC or 30 mA. The switching temperature of the DL series can be adjusted using a potentiometer at the rear of the instrument to suit individual requirements. A narrow 66:1 field of view is provided as standard, with an LED pilot light to ensure accurate alignment with the process to be monitored

GENERAL SPECIFICATIONS

MODEL	DL-14	DL-15
Temperature Range	400°C to 1400°C	700°C to 1500°C
Spectral Range	0.85 to 1.8µm	0.85 to 1.05µm
Accuracy	0.75% of measured value	0.75% of measured value
Repeatability	0.3% of measured value	0.3% of measured value
Response Time t90	1 ms	1 ms
Emissivity	1.00	1.00
Field Of View	66:1	66:1
Output Transistor switch	(output 20 V or 30 mA shorted to ground)	(output 20 V or 30 mA shorted to ground)
Power Supply	24 VDC ±15%, 50mA	24 VDC ±15%, 50mA

MECHANICAL

Construction	Stainless Steel
Dimensions	40 mm diameter x 113 mm long
Mounting	Thread M40 x 1.5 mm pitch

ENVIRONMENTAL

Environmental Rating	IP65
Ambient Temperature	0 to 50°C



SOUTHERN TEMPERATURE SENSORS LTD.

Temperature Sensors, Accessories and Components

Unit 6, Weyside Park, Newman Lane, Alton, HANTS GU34 2PJ Tel: 01420 541422 Fax: 01420 541433
 Email: enquiries@southerntemp.co.uk Website: www.southerntemp.co.uk